

## SECTION **MT**

GI  
MA  
EM  
LC  
EC  
FE  
CL  
**MT**  
AT  
FA  
RA  
BR  
ST  
RS  
BT  
HA  
EL  
IDX

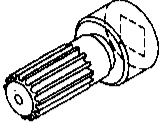
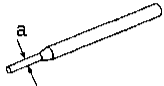
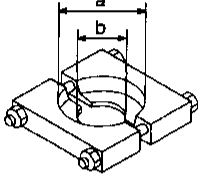
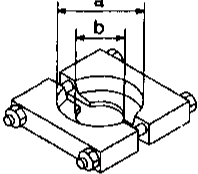
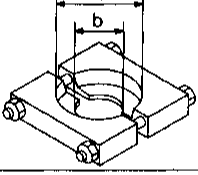
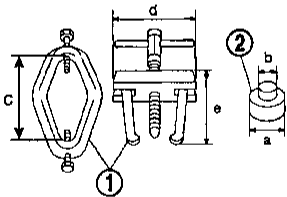
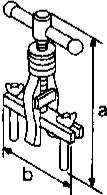
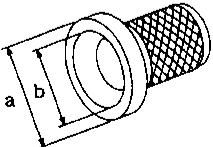
### CONTENTS

<b>PREPARATION</b> .....	2	Gear Components .....	12
Special Service Tools .....	2	Shift Control Components .....	13
Commercial Service Tools .....	4	<b>DISASSEMBLY</b> .....	14
<b>NOISE, VIBRATION AND HARSHNESS (NVH)</b>		<b>REPAIR FOR COMPONENT PARTS</b> .....	17
<b>TROUBLESHOOTING</b> .....	5	Input Shaft and Gears .....	17
NVH Troubleshooting Chart.....	5	Mainshaft and Gears .....	22
<b>DESCRIPTION</b> .....	6	Final Drive.....	26
Cross-sectional View .....	6	Shift Control Components .....	32
<b>ON-VEHICLE SERVICE/REMOVAL AND</b>		Case Components.....	32
<b>INSTALLATION</b> .....	7	<b>ADJUSTMENT</b> .....	33
Replacing Oil Seal .....	7	Input Shaft End Play and Differential Side	
Position Switch Check.....	8	Bearing Preload .....	33
Viscous Coupling Check.....	8	Mainshaft Bearing Preload .....	34
Removal.....	8	<b>ASSEMBLY</b> .....	37
Installation.....	9	<b>SERVICE DATA AND SPECIFICATIONS (SDS)</b> .....	41
<b>TRANSAXLE GEAR CONTROL</b> .....	10	General Specifications.....	41
<b>MAJOR OVERHAUL</b> .....	11	Inspection and Adjustment .....	41
Case Components.....	11		

# PREPARATION

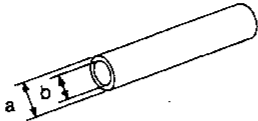
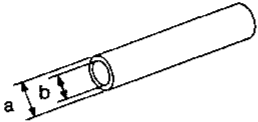
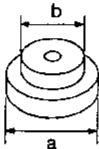
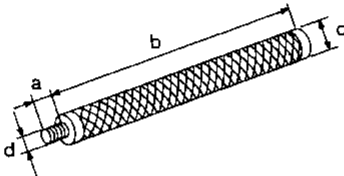
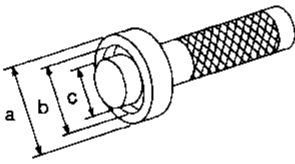
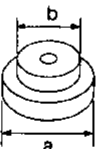
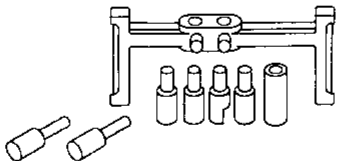
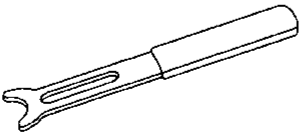
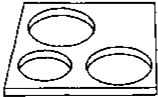
## Special Service Tools

The actual shapes of Kent-Moore tools may differ from those of special service tools illustrated here.

Tool number (Kent-Moore No.) Tool name	Description	
KV38105210 ( — ) Preload adapter	 NT075	Measuring turning torque of final drive assembly Measuring total turning torque
KV32101000 (J25689-A) Pin punch	 NT410	Removing and installing retaining pin  <b>a: 4 mm (0.16 in) dia.</b>
ST22730000 (J25681) Puller	 NT411	Removing mainshaft front and rear bearing inner race  <b>a: 82 mm (3.23 in) dia.</b> <b>b: 30 mm (1.18 in) dia.</b>
ST30031000 (J22912-01) Puller	 NT411	Removing input shaft front and rear bearing Removing 4th & 5th main gear  <b>a: 90 mm (3.54 in) dia.</b> <b>b: 50 mm (1.97 in) dia.</b>
ST30021000 (J22912-01) Puller	 NT411	Removing 5th synchronizer Removing 3rd & 4th synchronizer Removing 2nd & 3rd main gear  <b>a: 110 mm (4.33 in) dia.</b> <b>b: 68 mm (2.68 in) dia.</b>
ST3306S001 (J22888-D) Differential side bearing puller set ① ST33051001 (J22888-D) Puller ② ST33061000 (J8107-2) Adapter	 NT675	Removing differential side bearing inner race  <b>a: 38 mm (1.50 in) dia.</b> <b>b: 28.5 mm (1.122 in) dia.</b> <b>c: 130 mm (5.12 in)</b> <b>d: 135 mm (5.31 in)</b> <b>e: 100 mm (3.94 in)</b>
ST33290001 (J34286) Puller	 NT414	Removing differential oil seal Removing mainshaft rear bearing outer race Removing differential side bearing outer race  <b>a: 250 mm (9.84 in)</b> <b>b: 160 mm (6.30 in)</b>
ST33400001 (J26082) Drift	 NT086	Installing differential oil seal (50A and 50V right side)  <b>a: 60 mm (2.36 in) dia.</b> <b>b: 47 mm (1.85 in) dia.</b>

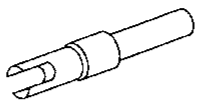
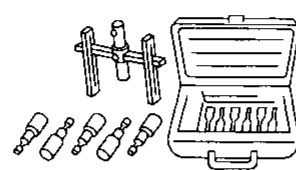
# PREPARATION

## Special Service Tools (Cont'd)

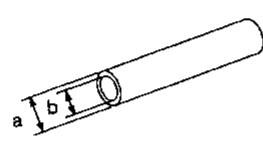
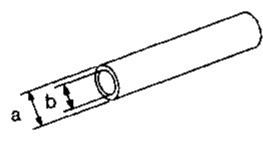
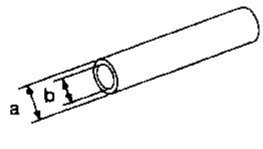
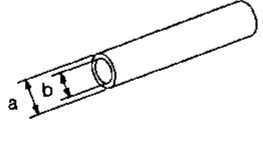
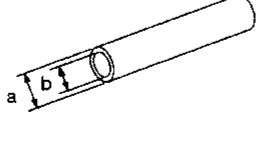
Tool number (Kent-Moore No.) Tool name	Description	
ST30600000 (J25863-01) Drift	 <p style="text-align: center;">NT065</p>	Installing input shaft front bearing  a: 36 mm (1.42 in) dia. b: 31 mm (1.22 in) dia.
ST22452000 (J34335) Drift	 <p style="text-align: center;">NT065</p>	Installing 3rd, 4th and 5th main gear  a: 45 mm (1.77 in) dia. b: 36 mm (1.42 in) dia.
ST30621000 (J25742-5) Drift	 <p style="text-align: center;">NT073</p>	Installing mainshaft rear bearing outer race (Use with ST30611000.)  a: 79 mm (3.11 in) dia. b: 59 mm (2.32 in) dia.
ST30611000 (J25742-1)	 <p style="text-align: center;">NT419</p>	(Use with ST30621000.)  a: 15 mm (0.59 in) b: 335 mm (13.19 in) c: 25 mm (0.98 in) dia. d: M12 x 1.5P
KV38100300 ( — ) Drift	 <p style="text-align: center;">NT085</p>	Installing differential side bearing  a: 54 mm (2.13 in) dia. b: 46 mm (1.81 in) dia. c: 32 mm (1.26 in) dia.
ST30613000 ( — ) Drift	 <p style="text-align: center;">NT073</p>	Installing differential side bearing  a: 72 mm (2.83 in) dia. b: 48 mm (1.89 in) dia.
(J34290) Shim selecting tool set	 <p style="text-align: center;">NT080</p>	Selecting differential side bearing adjusting shim  RS  BT
(J34305) Snap ring remover and installer	 <p style="text-align: center;">NT081</p>	Removing and installing stopper ring of shift fork  HA  EL
(J25407-2)	 <p style="text-align: center;">NT082</p>	Measuring reverse baulk ring wear  IDX

## PREPARATION

### Special Service Tools (Cont'd)

Tool number (Kent-Moore No.) Tool name	Description
KV38106500 (J34284) Preload adapter	 Measuring turning torque of final drive assembly NT087
(J34291) Shim setting gauge set	 Selecting side gear thrust washer NT101

### Commercial Service Tools

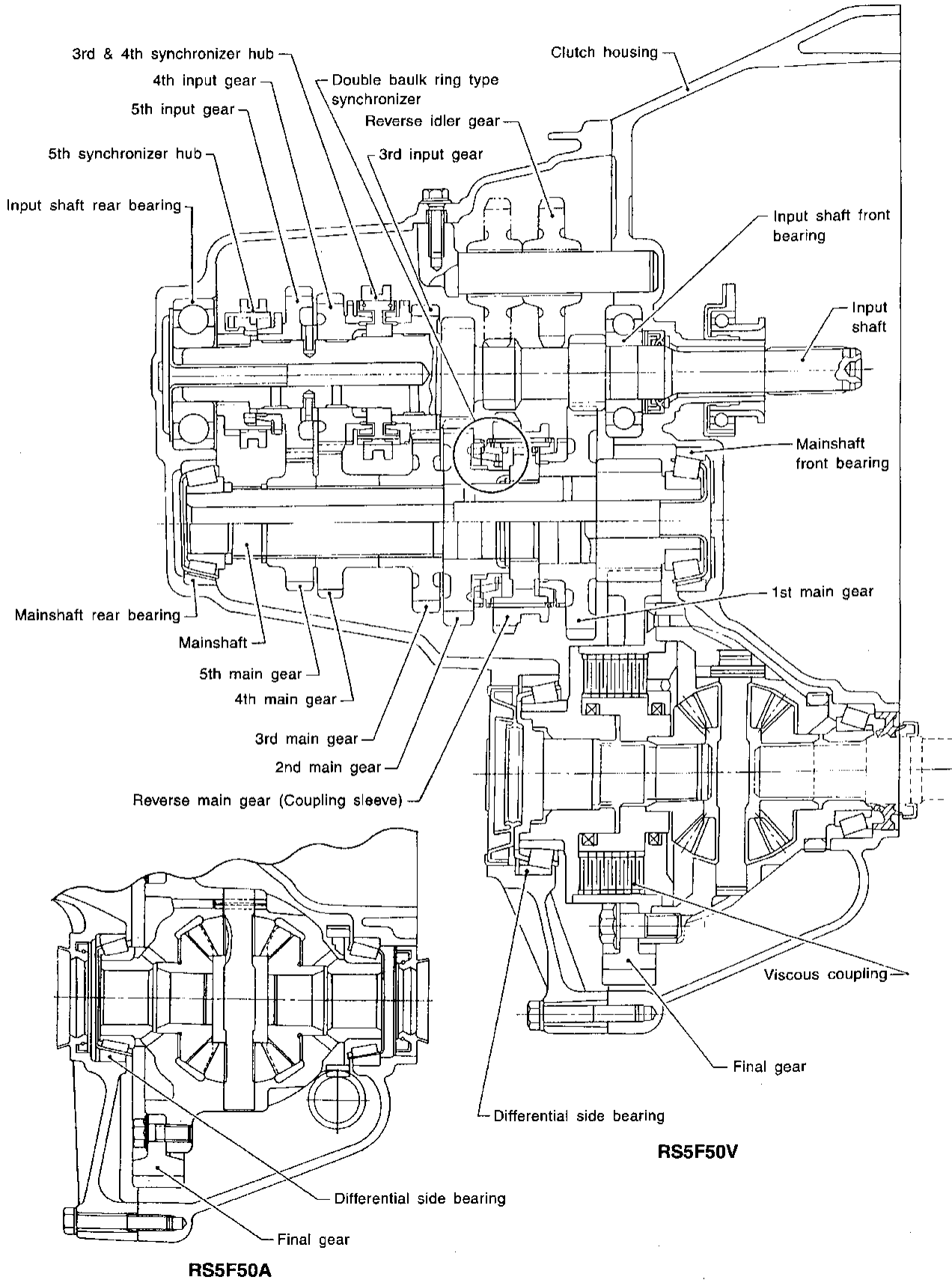
Tool name	Description
Drift	 Installing differential side bearing inner race NT065 a: 45 mm (1.77 in) dia. b: 41 mm (1.61 in) dia.
Drift	 Installing differential side bearing outer race NT065 a: 69 mm (2.72 in) dia. b: 64 mm (2.52 in) dia.
Drift	 Installing striking rod oil seal NT065 a: 38 mm (1.50 in) dia. b: 20 mm (0.79 in) dia.
Drift	 Installing differential oil seal (50V left side) NT065 a: 92 mm (3.62 in) dia. b: 72 mm (2.83 in) dia.
Drift	 Installing differential side bearing outer race (50V) NT065 a: 99 mm (3.90 in) dia. b: 94 mm (3.70 in) dia.

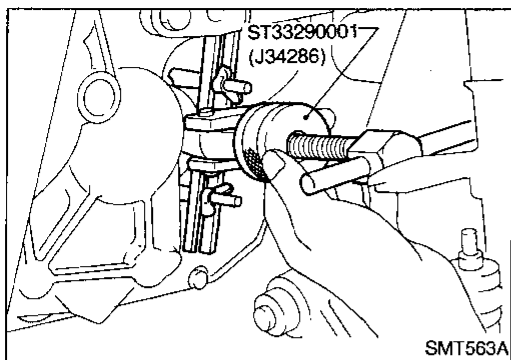


# DESCRIPTION

## Cross-sectional View

### RS5F50A AND 50V





## Replacing Oil Seal

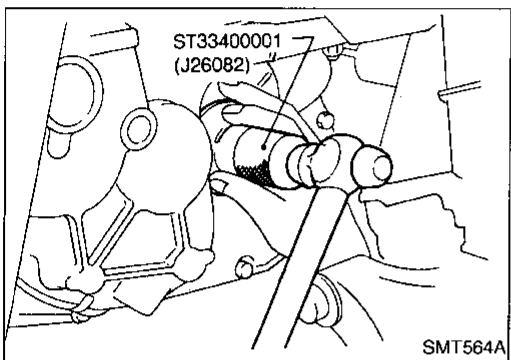
### DIFFERENTIAL OIL SEAL

1. Drain gear oil from transaxle.
2. Remove drive shafts. Refer to FA section ("REMOVAL", "FRONT AXLE — Drive Shaft").
3. Remove differential oil seal.

GI

MA

EM



4. Install differential oil seal.

- Apply multi-purpose grease to seal lip of oil seal before installing.

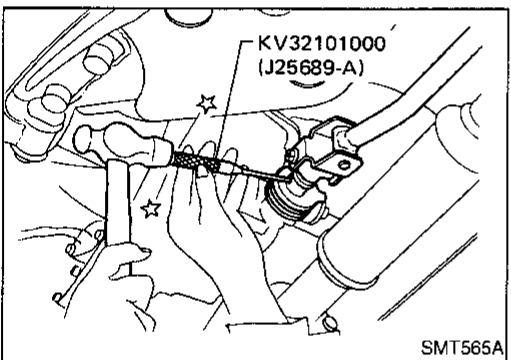
LC

5. Install drive shafts. Refer to FA section ("INSTALLATION", "FRONT AXLE — Drive Shaft").

EC

FE

CL



### STRIKING ROD OIL SEAL

1. Remove transaxle control rod from yoke.
2. Remove retaining pin.

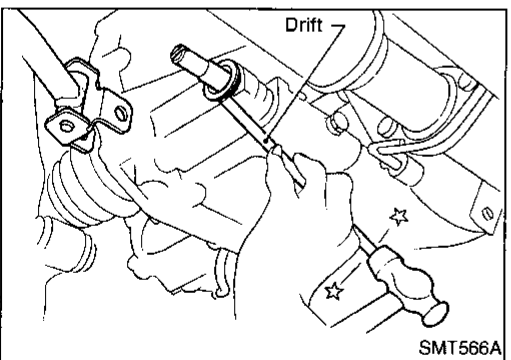
- Be careful not to damage boot.

MT

AT

FA

RA



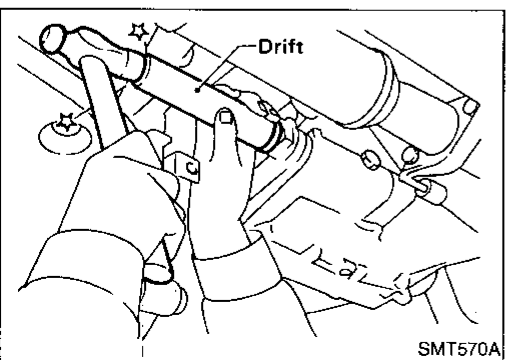
3. Remove striking rod oil seal.

BR

ST

RS

BT



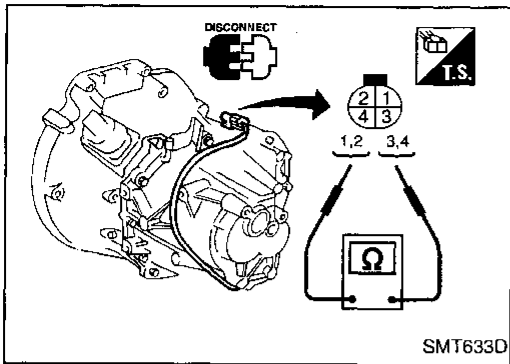
4. Install striking rod oil seal.

- Apply multi-purpose grease to seal lip of oil seal before installing.

HA

EL

IDX

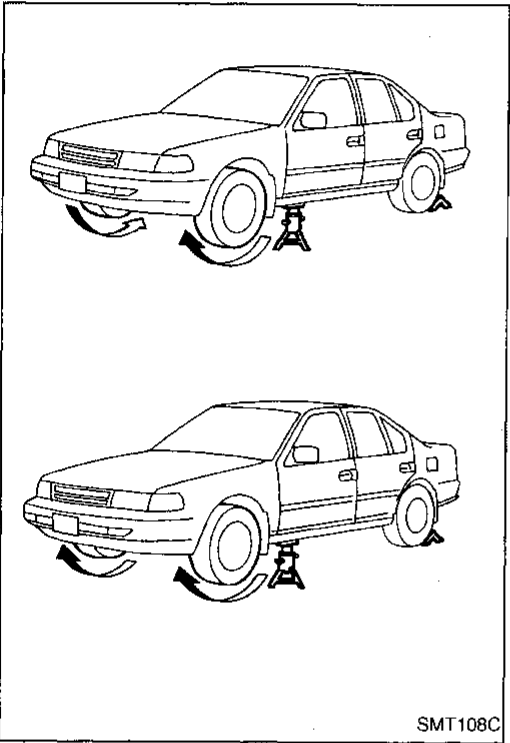


## Position Switch Check

### BACK-UP LAMP SWITCH AND PARK/NEUTRAL POSITION SWITCH

- Check continuity.

Gear position	Continuity
Reverse	① - ③
Neutral	② - ④
Except reverse and neutral	No



## Viscous Coupling Check

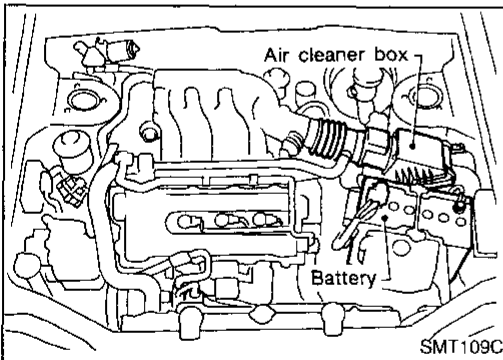
1. Apply parking brake firmly and place shift lever in the neutral position.
2. Jack up front wheels.
3. Rotate one front wheel and check turning direction of the other front wheel.

### Turning direction of the two wheels is opposite:

The viscous coupling is not functioning normally.

### Turning direction of the two wheels is the same:

If differential side gear and pinion mate gear thrust washers are OK, viscous coupling is functioning normally.

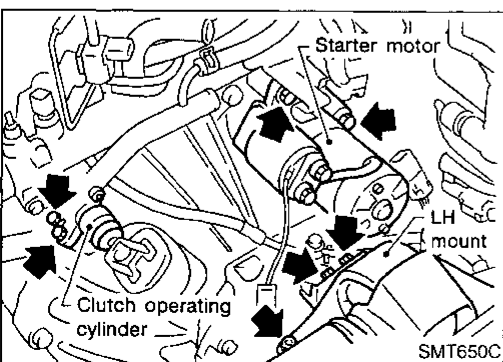


## Removal

### CAUTION:

Remove the crankshaft position sensor (POS) from transaxle assembly before separating transaxle from engine. Be careful not to damage sensor edge.

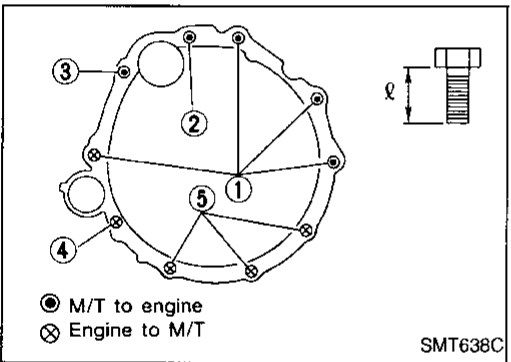
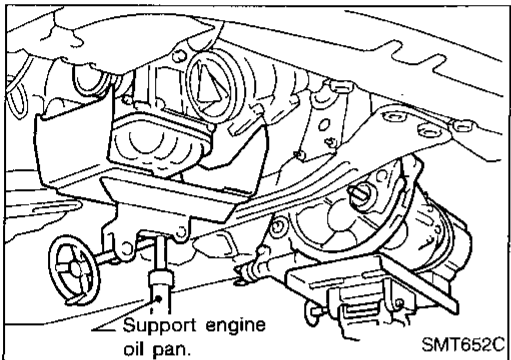
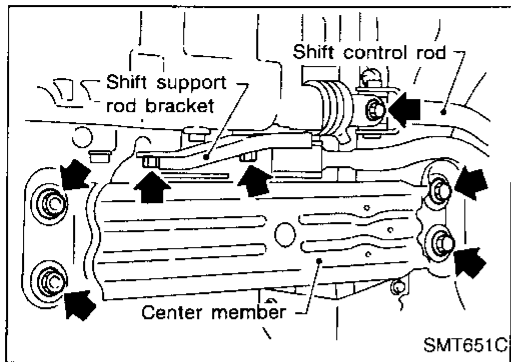
1. Remove battery and its bracket.
2. Remove air cleaner box with mass air flow sensor.



3. Remove clutch operating cylinder from transaxle.
4. Remove clutch hose clamp.
5. Disconnect speedometer pinion, PNP switch and ground harness connectors.
6. Remove starter motor from transaxle.
7. Remove crankshaft position sensor (POS) from transaxle front side.



# ON-VEHICLE SERVICE/REMOVAL AND INSTALLATION



## Removal (Cont'd)

8. Remove shift control rod and support rod bracket from transaxle.
9. Drain gear oil from transaxle.
10. Draw out drive shafts from transaxle. Refer to FA section ("REMOVAL", "FRONT AXLE — Drive Shaft").
11. Support engine of transaxle by placing a jack under oil pan.

### CAUTION:

**Do not place jack under oil pan drain plug.**

12. Remove bolts securing center member.
13. Remove LH mount.
14. Remove bolts securing transaxle.
15. Lower transaxle while supporting it with a jack.

## Installation

- Tighten LH mount and center member bolts. Refer to EM section ("ENGINE REMOVAL").
- Tighten clutch operating cylinder bolts. Refer to CL section ("CLUTCH SYSTEM — Hydraulic Type").
- Install drive shafts. Refer to FA section ("INSTALLATION", "FRONT AXLE — Drive Shaft").
- Tighten all transaxle bolts and any part removed.

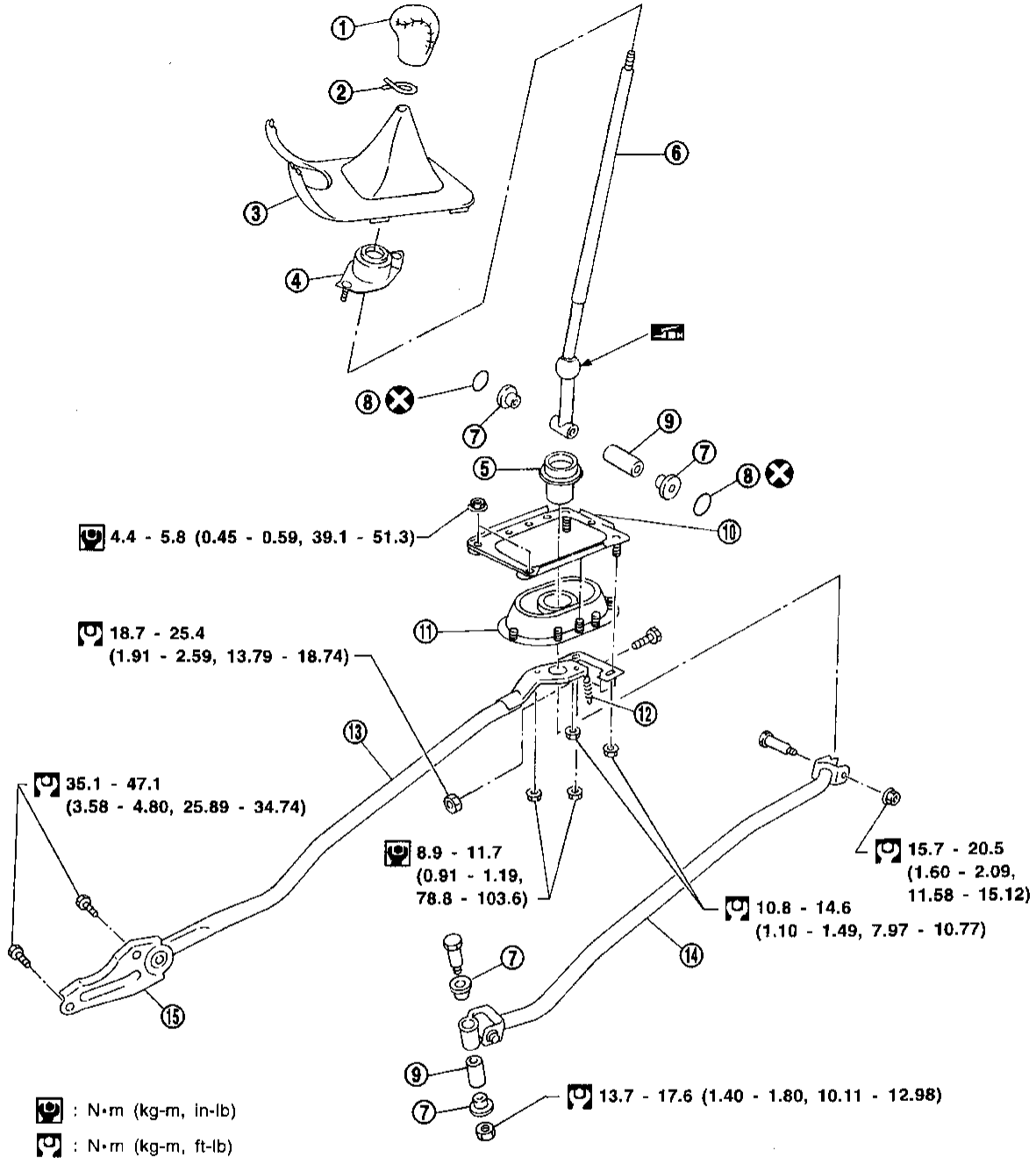
Bolt No.	Tightening torque N-m (kg-m, ft-lb)	"ℓ" mm (in)
①	70 - 79 (7.1 - 8.1, 51 - 59)	52 (2.05)
②	70 - 79 (7.1 - 8.1, 51 - 59)	65 (2.56)
③	70 - 79 (7.1 - 8.1, 51 - 59)	124 (4.88)
④	35.1 - 47.1 (3.58 - 4.80, 25.89 - 34.74)	40 (1.57)
⑤	35.1 - 47.1 (3.58 - 4.80, 25.89 - 34.74)	40 (1.57)

- ③ with starter
- ④ with support rod bracket

GI  
MA  
EM  
LC  
EC  
FE  
CL  
MT  
AT  
FA  
RA  
BR  
ST  
RS  
BT  
HA  
EL  
IDX

# TRANSAXLE GEAR CONTROL

## SEC. 341



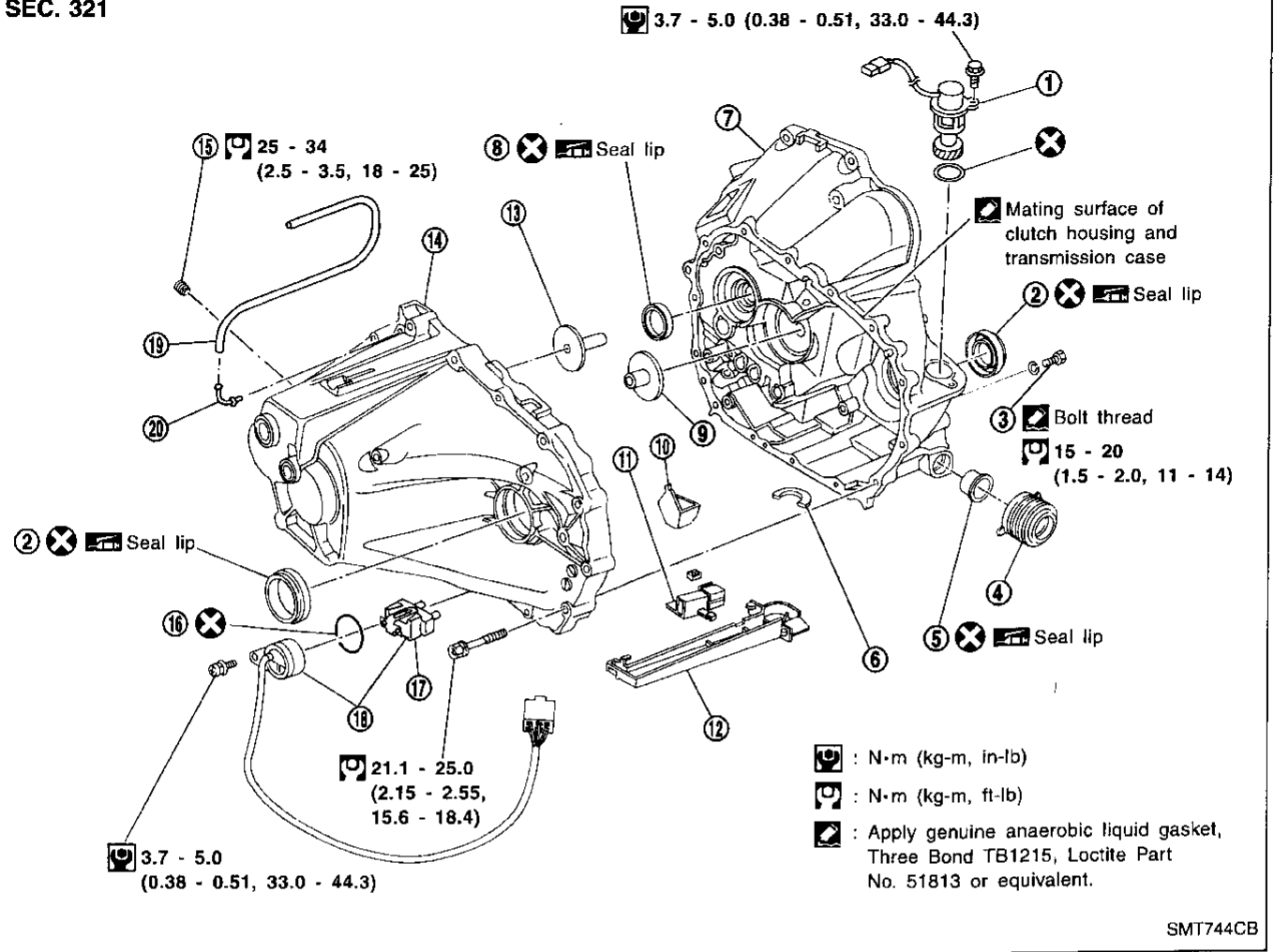
SMT860C

- |                      |               |                             |
|----------------------|---------------|-----------------------------|
| ① Shift lever knob   | ⑥ Shift lever | ⑪ Transaxle hole cover      |
| ② Boot retainer      | ⑦ Bushing     | ⑫ Return spring             |
| ③ Boot               | ⑧ O-ring      | ⑬ Support rod               |
| ④ Shift lever socket | ⑨ Collar      | ⑭ Shift control rod         |
| ⑤ Seat-bearing set   | ⑩ Plate bolt  | ⑮ Shift support rod bracket |

# MAJOR OVERHAUL

## Case Components

SEC. 321



GI  
MA  
EM  
LC  
EC  
FE  
CL  
MT  
AT  
FA  
RA  
BR  
ST  
RS  
BT  
HA  
EL  
IDX

- ① Speedometer pinion
- ② Differential oil seal
- ③ Drain plug
- ④ Boot
- ⑤ Striking rod oil seal
- ⑥ Magnet
- ⑦ Clutch housing

- ⑧ Input shaft oil seal
- ⑨ Oil channel (Mainshaft)
- ⑩ Oil pocket
- ⑪ Box breather
- ⑫ Oil gutter
- ⑬ Oil channel (Input shaft)
- ⑭ Transmission case

- ⑮ Filler plug
- ⑯ O-ring
- ⑰ Movable plate assembly
- ⑱ PNP switch
- ⑲ Breather hose
- ⑳ Breather pipe

# MAJOR OVERHAUL

## Gear Components

### SEC. 322

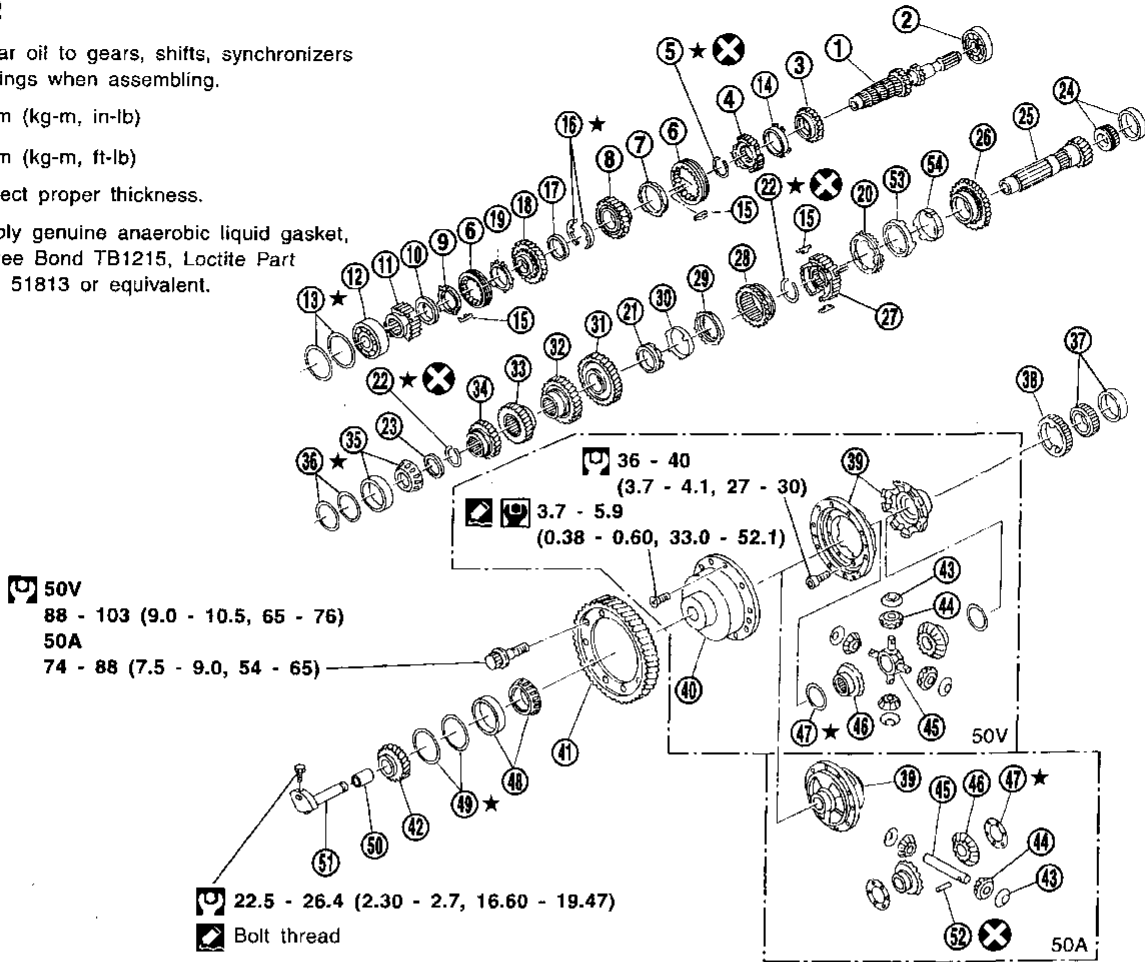
Apply gear oil to gears, shifts, synchronizers and bearings when assembling.

: N·m (kg-m, in-lb)

: N·m (kg-m, ft-lb)

★ : Select proper thickness.

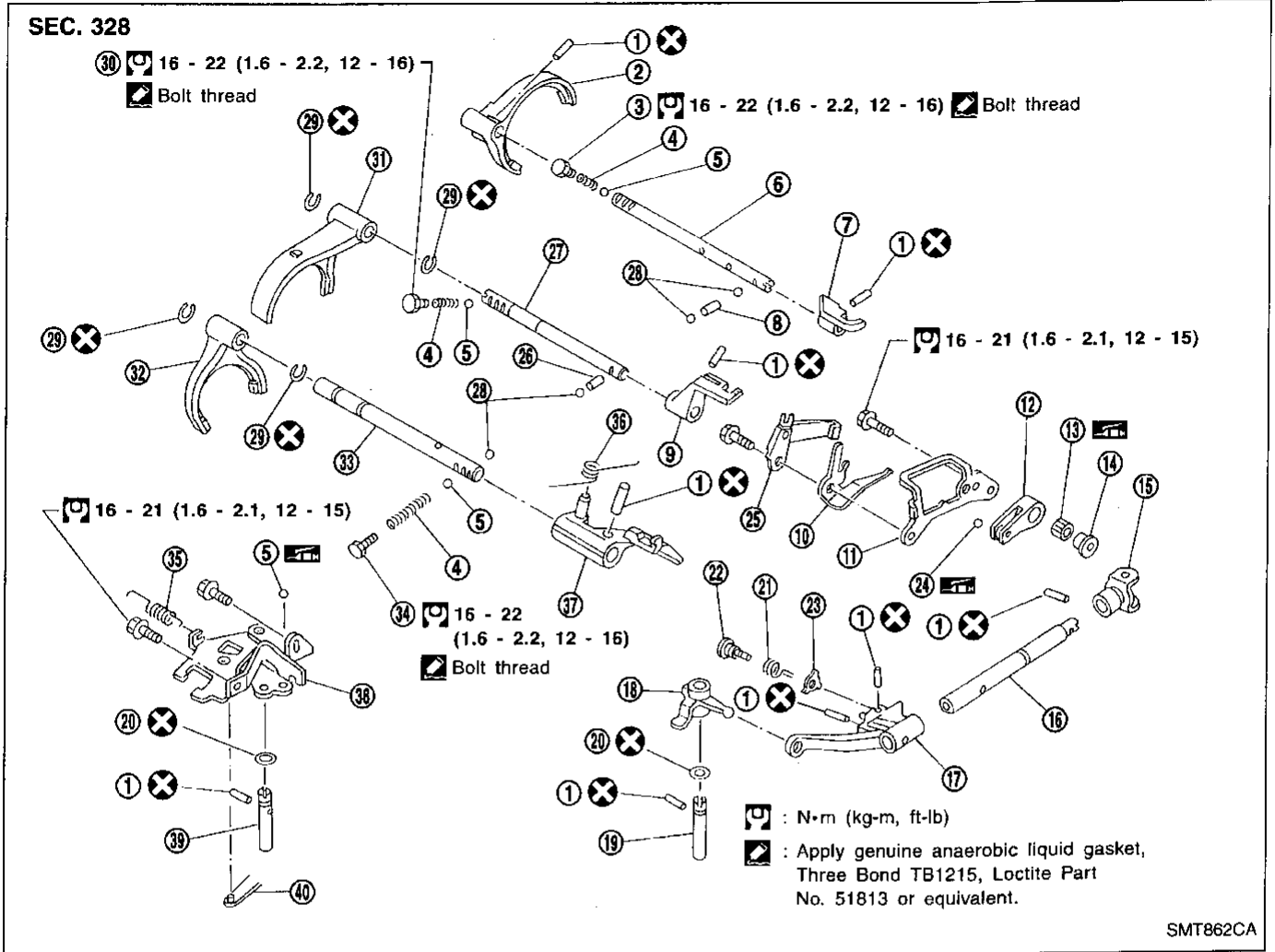
: Apply genuine anaerobic liquid gasket, Three Bond TB1215, Loctite Part No. 51813 or equivalent.



SMT625D

- |                                      |                                       |  |
|--------------------------------------|---------------------------------------|--|
| ① Input shaft                        | ⑳ 1st outer baulk ring                | ⑳ Speedometer drive gear                   |
| ② Input shaft front bearing          | ㉑ 2nd inner baulk ring                | ㉑ Differential case                        |
| ③ 3rd input gear                     | ㉒ Snap ring                           | ㉒ Viscous coupling                         |
| ④ 3rd & 4th synchronizer hub         | ㉓ Mainshaft bearing spacer            | ㉓ Final gear                               |
| ⑤ Snap ring                          | ㉔ Mainshaft front bearing             | ㉔ Reverse idler gear                       |
| ⑥ Coupling sleeve                    | ㉕ Mainshaft                           | ㉔ Pinion mate gear thrust washer           |
| ⑦ 4th baulk ring                     | ㉖ 1st main gear                       | ㉔ Pinion mate gear                         |
| ⑧ 4th input gear                     | ㉗ 1st & 2nd synchronizer hub          | ㉔ Pinion mate shaft                        |
| ⑨ Reverse baulk ring                 | ㉘ Reverse main gear (Coupling sleeve) | ㉔ Side gear                                |
| ⑩ Reverse synchronizer cone          | ㉙ 2nd outer baulk ring                | ㉔ Side gear thrust washer                  |
| ⑪ 5th synchronizer hub               | ㉚ 2nd gear synchronizer cone          | ㉔ Differential side bearing                |
| ⑫ Input shaft rear bearing           | ㉛ 2nd main gear                       | ㉔ Differential side bearing adjusting shim |
| ⑬ Input shaft bearing adjusting shim | ㉜ 3rd main gear                       | ㉔ Bushing                                  |
| ⑭ 3rd baulk ring                     | ㉝ 4th main gear                       | ㉔ Reverse idler shaft                      |
| ⑮ Insert spring                      | ㉞ 5th main gear                       | ㉔ Retaining pin                            |
| ⑯ 4th input gear thrust washer       | ㉟ Mainshaft rear bearing              | ㉔ 1st gear synchronizer cone               |
| ⑰ Thrust washer ring                 | ㊱ Mainshaft bearing adjusting shim    | ㉔ 1st inner baulk ring                     |
| ⑱ 5th input gear                     | ㊲ Differential side bearing           |  |

## Shift Control Components



- |                        |                       |                            |
|------------------------|-----------------------|----------------------------|
| ① Retaining pin        | ⑮ Yoke                | ⑳ Interlock ball           |
| ② 1st & 2nd shift fork | ⑯ Striking rod        | ㉑ Stopper ring             |
| ③ 1st & 2nd check plug | ⑰ Striking lever      | ㉒ 3rd & 4th check plug     |
| ④ Return spring        | ⑱ Selector            | ㉓ 3rd & 4th shift fork     |
| ⑤ Check ball           | ⑲ Selector shaft      | ㉔ 5th shift fork           |
| ⑥ 1st & 2nd fork rod   | ⑳ O-ring              | ㉕ 5th fork rod             |
| ⑦ 1st & 2nd bracket    | ㉑ Return spring       | ㉖ 5th & reverse check plug |
| ⑧ Interlock plunger    | ㉒ Cam pin             | ㉗ Reverse lever spring     |
| ⑨ 3rd & 4th bracket    | ㉓ Reverse check cam   | ㉘ Reverse lock spring      |
| ⑩ Return spring        | ㉔ Check ball          | ㉙ 5th & reverse bracket    |
| ⑪ Reverse gate         | ㉕ Select check spring | ㉚ Reverse lever assembly   |
| ⑫ Select arm           | ㉖ Interlock plunger   | ㉛ Reverse arm shaft        |
| ⑬ Return bearing       | ㉗ 3rd & 4th fork rod  | ㉜ Control lever spring     |
| ⑭ Bush                 |                       |                            |

GI

MA

EM

LC

EC

FE

CL

MT

AT

FA

RA

BR

ST

RS

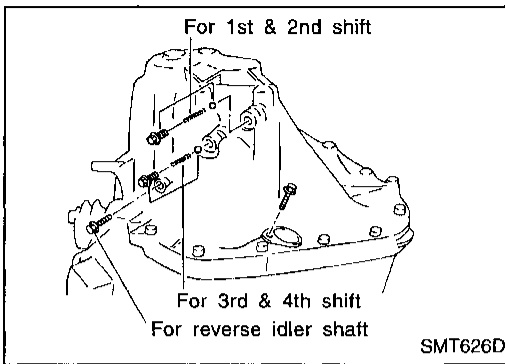
BT

HA

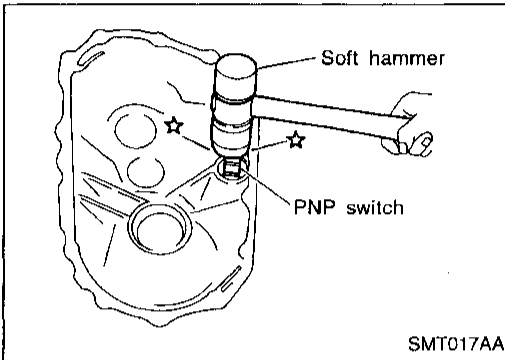
EL

IDX

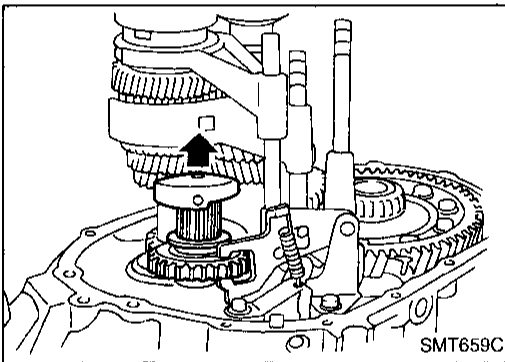
# DISASSEMBLY



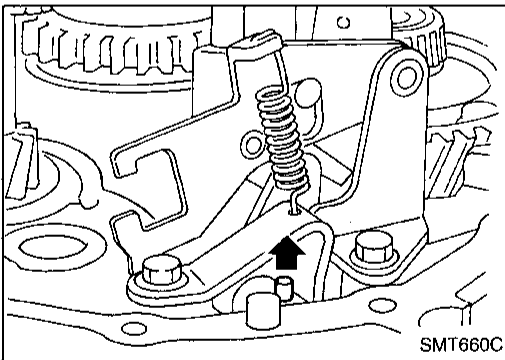
1. Before removing transmission case, remove bolts, check plugs, springs and check balls as shown left.
  - **Be careful not to lose check balls.**
2. Remove transmission case.



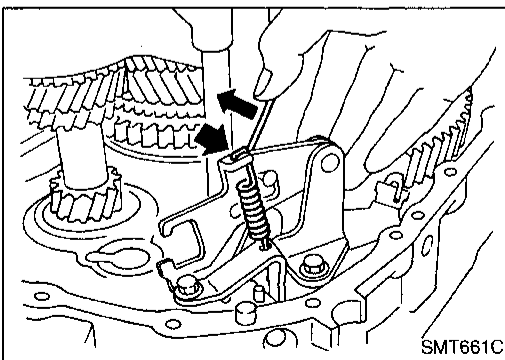
3. Remove PNP switch.



4. Mesh 4th gear, and then remove reverse idler shaft and reverse idler gear.

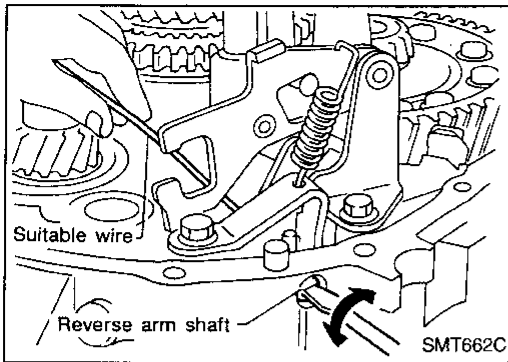


5. Pull out retaining pin.

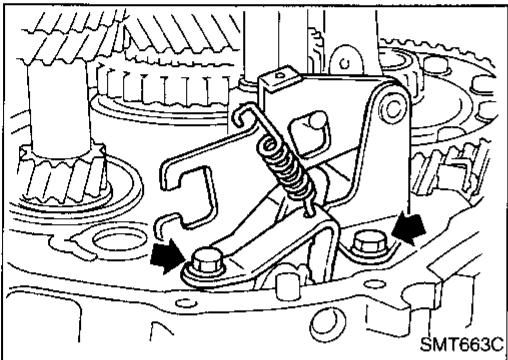


6. Remove reverse lever spring and reverse lock spring from reverse lever assembly.

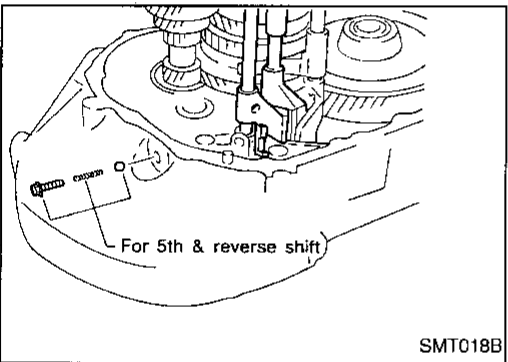
# DISASSEMBLY



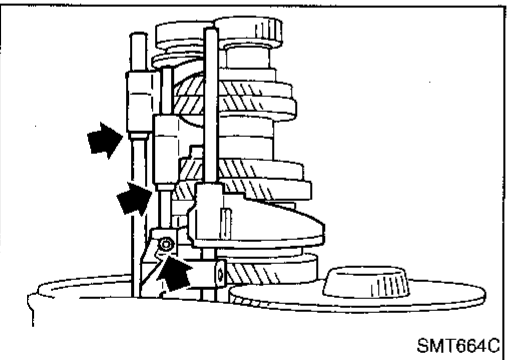
7. Remove reverse arm shaft while rotating it.



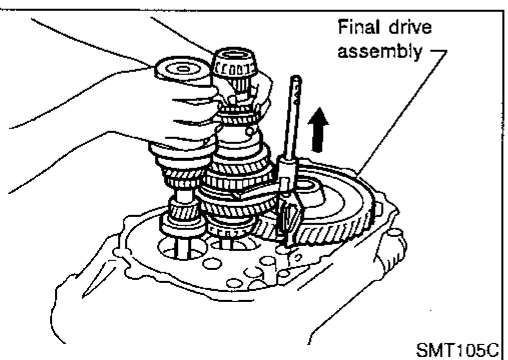
8. Remove reverse lever assembly and check ball.  
 ● **Be careful not to lose check ball.**



9. Remove 5th & reverse check plug, spring and ball.  
 ● **Be careful not to lose check ball.**



10. Remove stopper rings and retaining pins from 5th and 3rd & 4th fork rods.  
 11. Remove 5th and 3rd & 4th fork rods. Then remove forks and brackets.



12. Remove both input and mainshafts with 1st & 2nd fork and fork rod as a set.  
 13. Remove final drive assembly.  
 ● **Always withdraw mainshaft straight out. Failure to do so can damage resin oil channel on clutch housing side.**

GI

MA

EM

LC

EC

FE

CL

MT

AT

FA

RA

BR

ST

RS

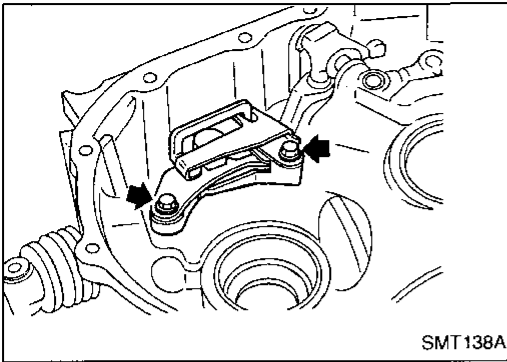
BT

HA

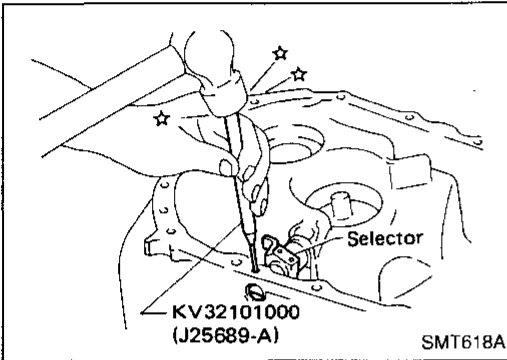
EL

IDX

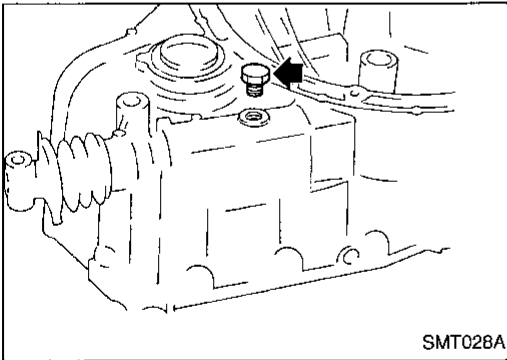
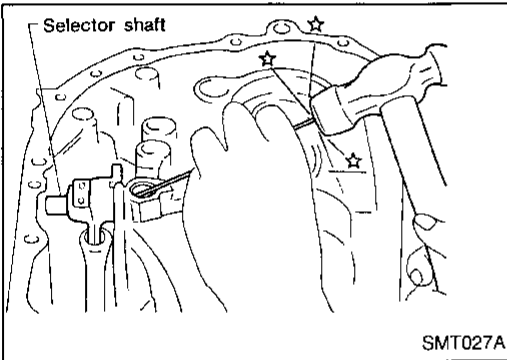
## DISASSEMBLY



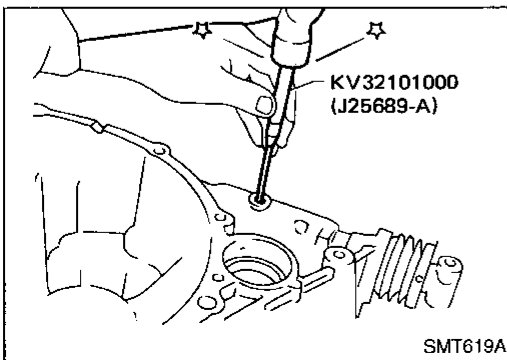
14. Remove reverse check assembly and check ball.
- Be careful not to lose check ball.



15. Remove retaining pin and detach the selector.

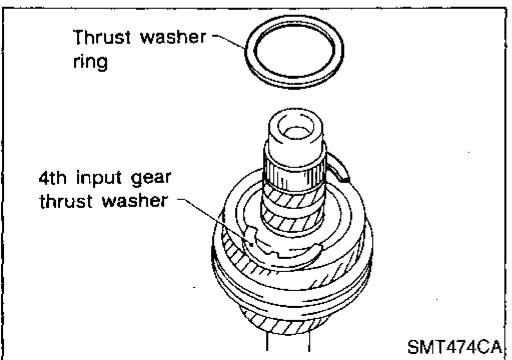
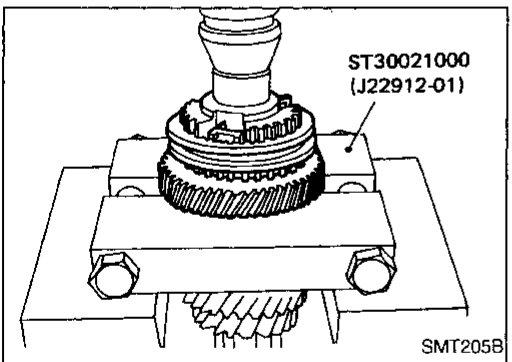
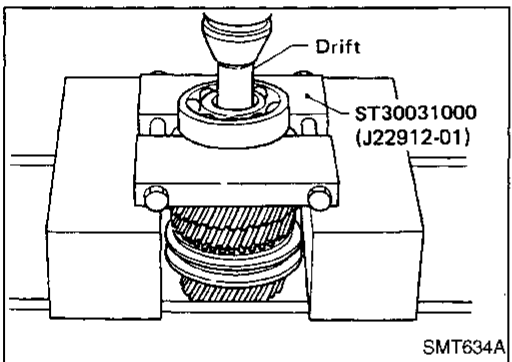
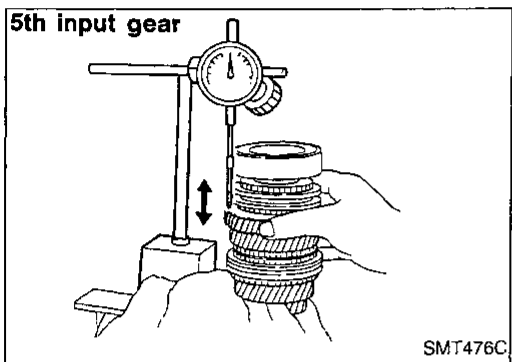
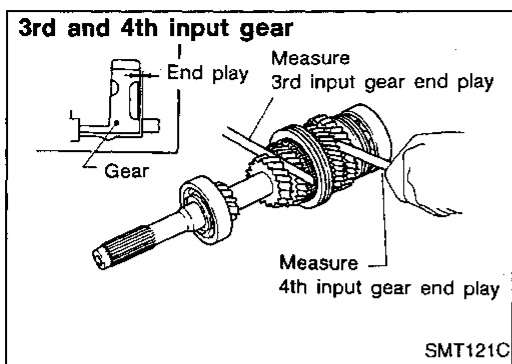


16. Remove drain plug for convenience in removing retaining pin which holds striking lever to striking rod.



17. Remove retaining pin and then withdraw striking lever and striking rod.





## Input Shaft and Gears

### DISASSEMBLY

1. Before disassembly, check 3rd, 4th and 5th input gear end plays.

**Gear end play:**  
Refer to SDS, MT-41.

- If not within specification, disassemble and check contact surface of gear, shaft and hub. Check clearance of snap ring groove. Refer to "ASSEMBLY", MT-19.

2. Remove input shaft rear bearing.

3. Remove 5th & reverse synchronizer and 5th input gear.

4. Remove thrust washer ring, 4th input gear thrust washers and 4th input gear.

GI

MA

EM

LC

EC

FE

CL

MT

AT

FA

RA

BR

ST

RS

BT

HA

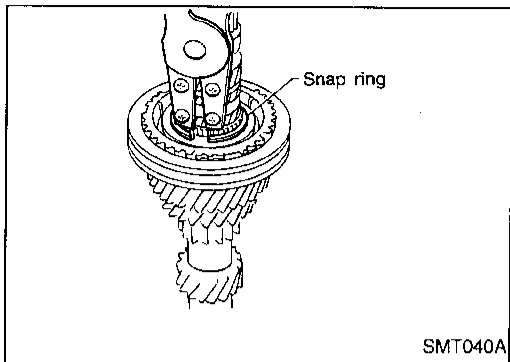
EL

IDX

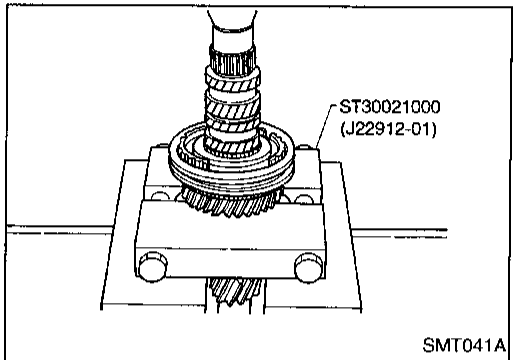
# REPAIR FOR COMPONENT PARTS

## Input Shaft and Gears (Cont'd)

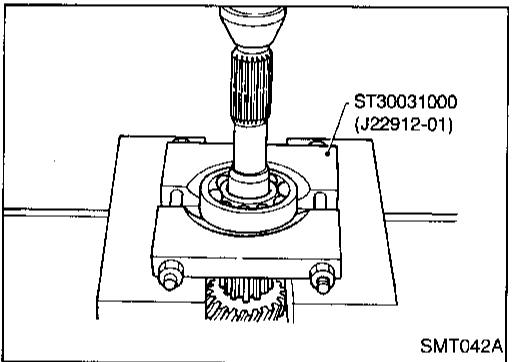
5. Remove snap ring.



6. Remove 3rd & 4th synchronizer and 3rd input gear.



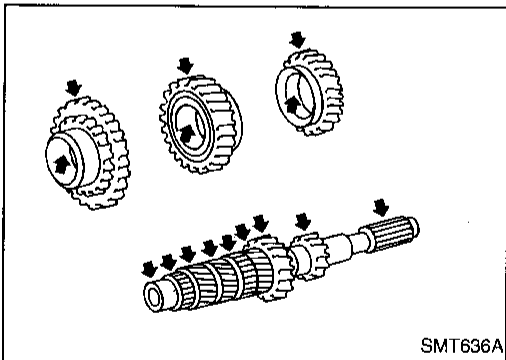
7. Remove input shaft front bearing.



## INSPECTION

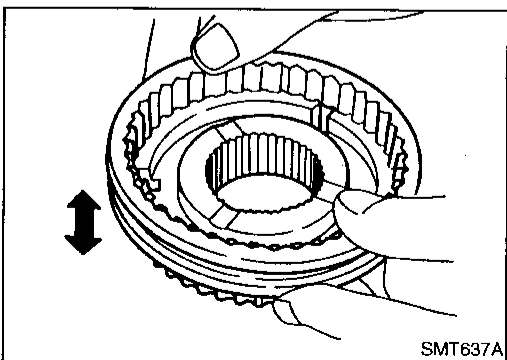
### Gear and shaft

- Check shaft for cracks, wear or bending.
- Check gears for excessive wear, chips or cracks.



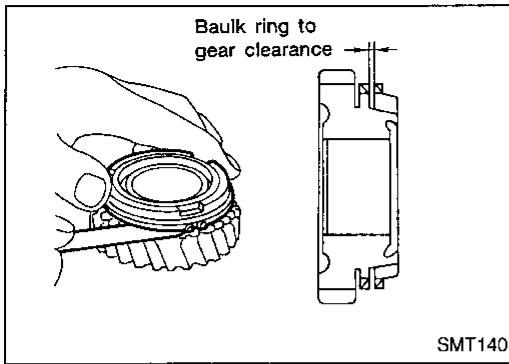
### Synchronizer

- Check spline portion of coupling sleeves, hubs and gears for wear or cracks.
- Check baulk rings for cracks or deformation.
- Check insert springs for wear or deformation.



# REPAIR FOR COMPONENT PARTS

## Input Shaft and Gears (Cont'd)



- Measure clearance between baulk ring and gear (3rd, 4th and 5th).

**Clearance between baulk ring and gear:**

**Standard**

1.0 - 1.35 mm (0.0394 - 0.0531 in)

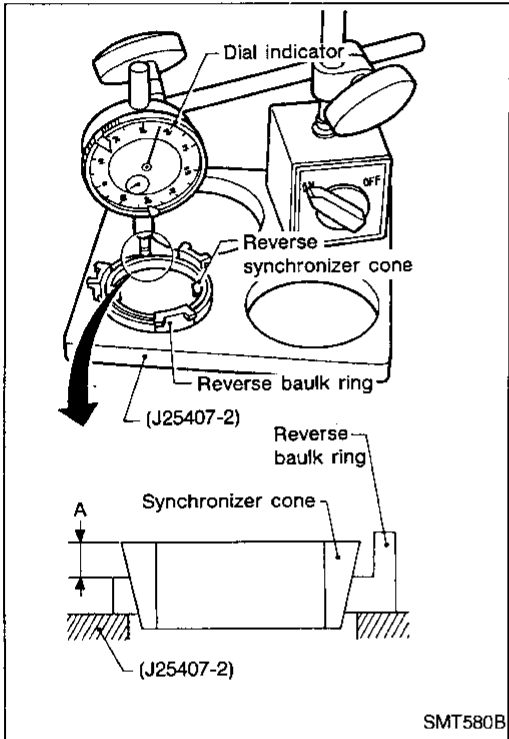
**Wear limit**

0.7 mm (0.028 in)

GI

MA

EM



- **Measure wear of reverse baulk ring.**

a. Place reverse baulk ring on Tool and then place reverse synchronizer cone on reverse baulk ring.

- **Make sure projection of synchronizer cone is positioned over the recess on Tool.**

b. While holding reverse synchronizer cone against reverse baulk ring as firmly as possible, measure dimension "A" with dial indicator.

**Wear limit:**

**Dimension "A" 1.2 mm (0.047 in)**

c. If dimension "A" is smaller than the wear limit, replace baulk ring.

LC

EC

FE

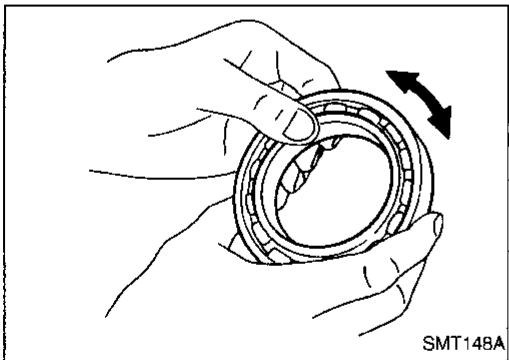
CL

MT

AT

FA

RA



## Bearing

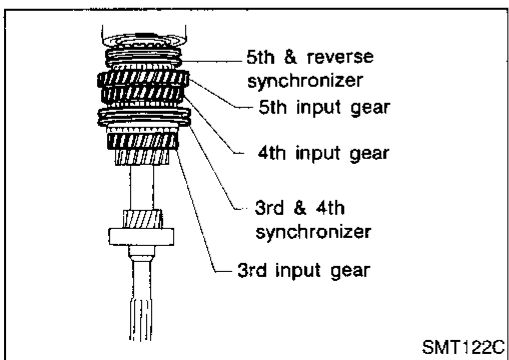
- Make sure bearings roll freely and are free from noise, cracks, pitting or wear.

BR

ST

RS

BT



## ASSEMBLY

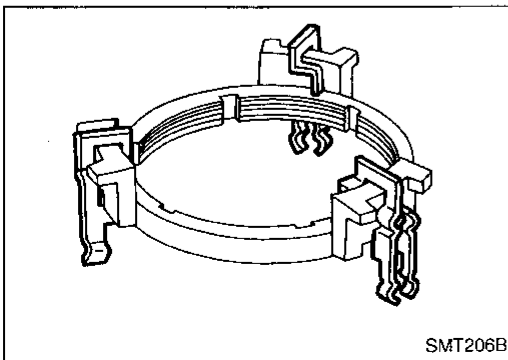
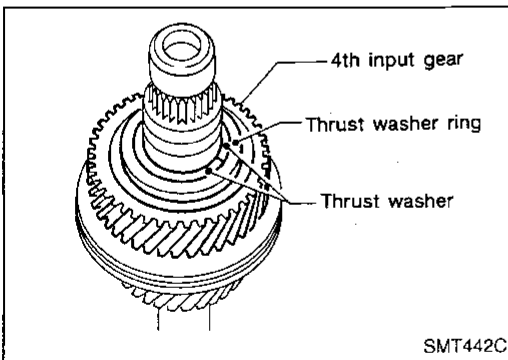
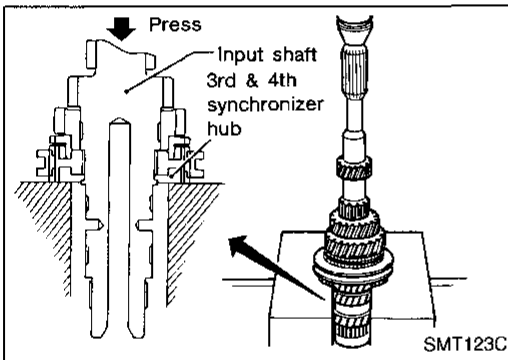
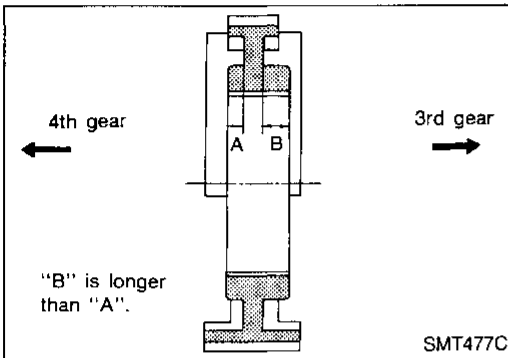
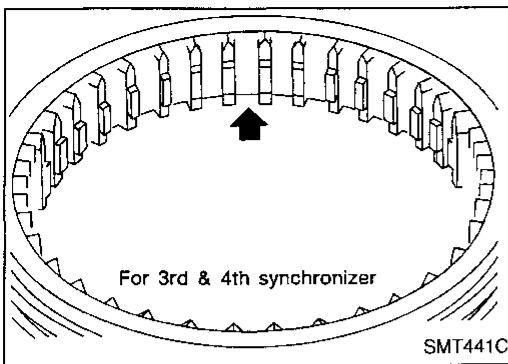
HA

EL

IDX

# REPAIR FOR COMPONENT PARTS

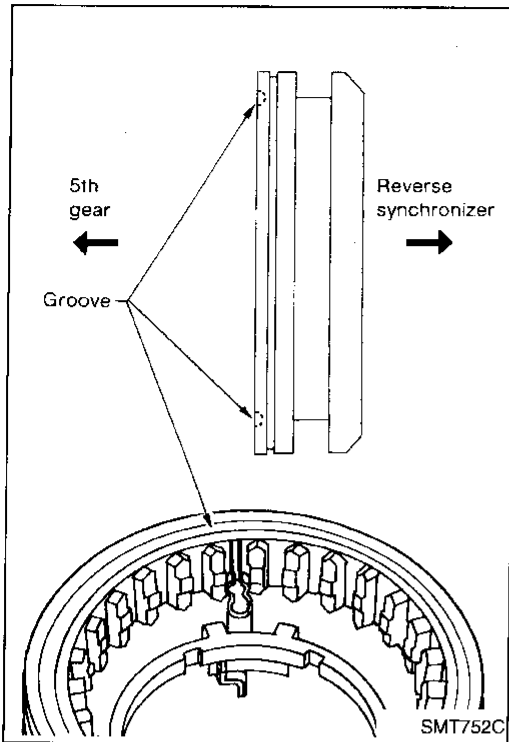
## Input Shaft and Gears (Cont'd)



1. Place inserts in three grooves on coupling sleeve (3rd & 4th synchronizer).
2. Install 3rd input gear and 3rd baulk ring.
3. Press on 3rd & 4th synchronizer hub.
  - **Pay attention to its direction.**
4. Select proper snap ring of 3rd & 4th synchronizer hub to minimize clearance of groove, and then install it.
  - Allowable clearance of groove:**  
0 - 0.1 mm (0 - 0.004 in)
  - Snap ring of 3rd & 4th synchronizer hub:**  
Refer to SDS, MT-42.
5. Install 4th input gear.
6. Select proper thrust washers to minimize clearance of groove. Then install them and thrust washer ring.
  - Allowable clearance of groove:**  
0 - 0.06 mm (0 - 0.0024 in)
  - 4th input gear thrust washer:**  
Refer to SDS, MT-42.
7. Install 5th & reverse synchronizer assembly.
  - a. Hook insert springs on reverse baulk ring.

# REPAIR FOR COMPONENT PARTS

## Input Shaft and Gears (Cont'd)



- b. Install insert springs with reverse baulk ring onto coupling sleeve.
- **Pay attention to position of insert springs.**
- c. Place 5th baulk ring on 5th input gear.
- d. Install reverse synchronizer cone on reverse baulk ring.

GI

MA

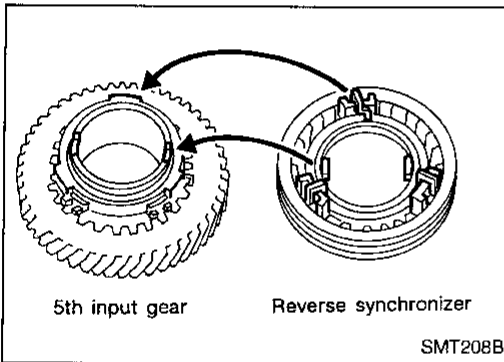
EM

LC

EC

FE

CL



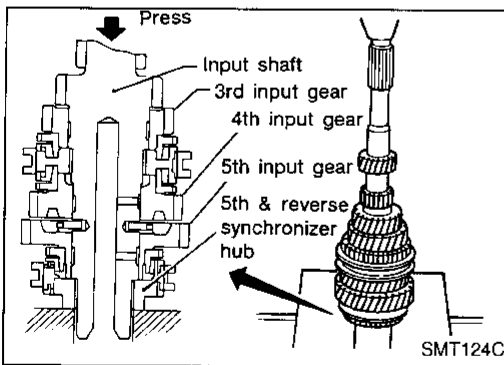
- e. Place reverse synchronizer assembly on 5th input gear.
- **Mesh recesses of 5th input gear with projections of reverse synchronizer cone.**
- **Put insert spring mounts on reverse baulk ring upon those on 5th baulk ring.**

MT

AT

FA

RA



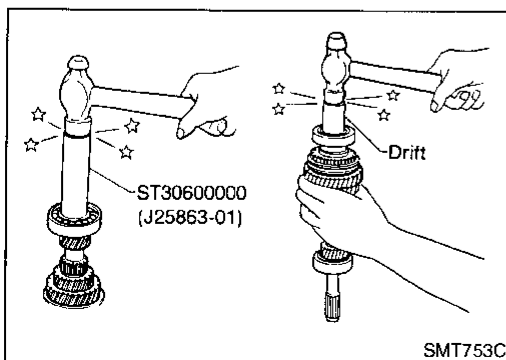
- f. Press on 5th & reverse synchronizer assembly with 5th input gear.

BR

ST

RS

BT

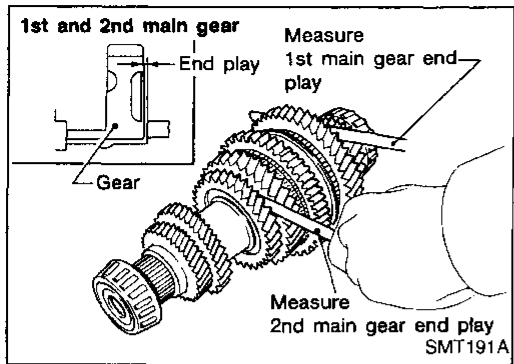


8. Install input shaft front and rear bearings.
9. Measure gear end play as a final check. Refer to "DISASSEMBLY", MT-17.

HA

EL

IDX



## Mainshaft and Gears

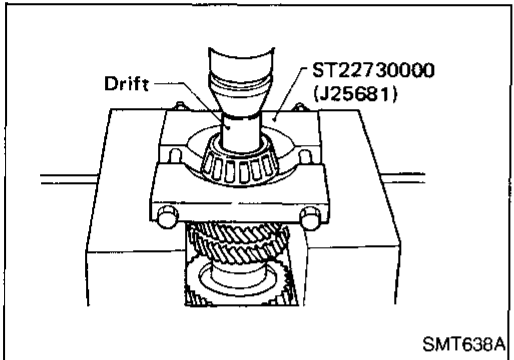
### DISASSEMBLY

1. Before disassembly, check 1st and 2nd main gear end plays.

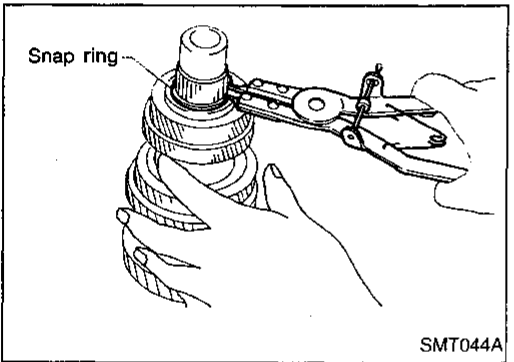
#### Gear end play:

Refer to SDS, MT-41.

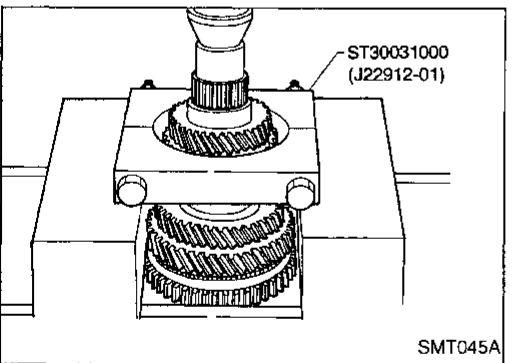
If not within specification, disassemble and check contact surface of gear, shaft and hub. Check clearance of snap ring groove. Refer to "ASSEMBLY", MT-24.



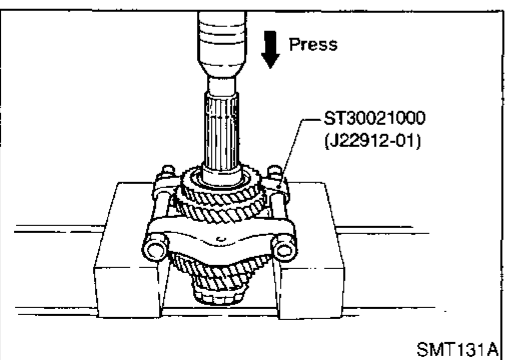
2. Press out mainshaft rear bearing.



3. Remove thrust washer and snap ring.



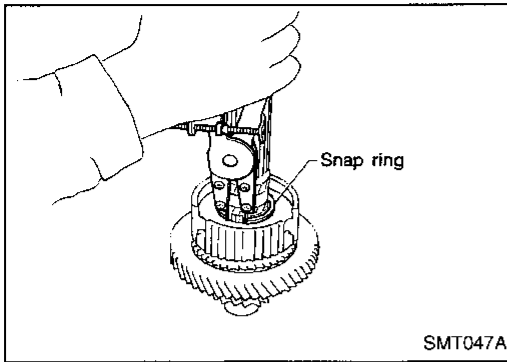
4. Press out 5th main gear and 4th main gear.



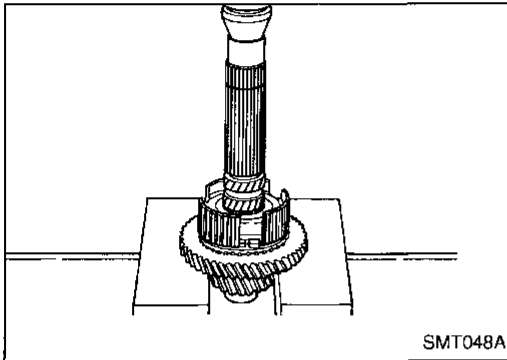
5. Press out 3rd main gear and 2nd main gear.

# REPAIR FOR COMPONENT PARTS

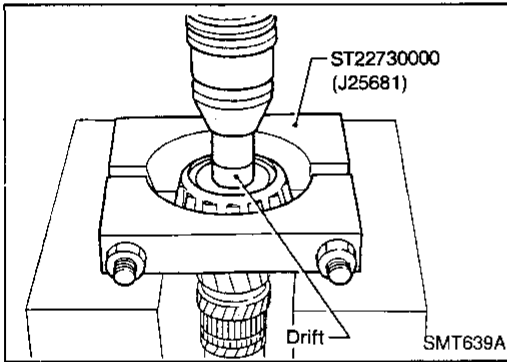
## Mainshaft and Gears (Cont'd)



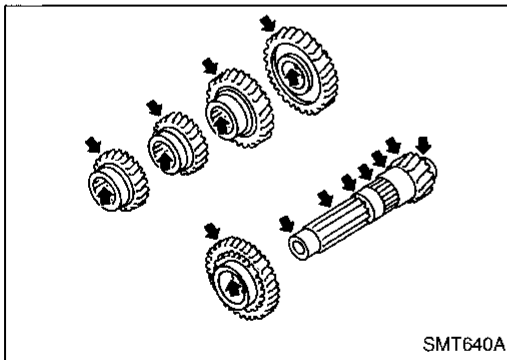
6. Remove snap ring.



7. Remove 1st & 2nd synchronizer hub and 1st main gear.



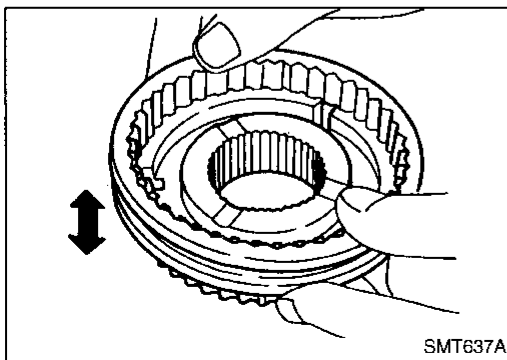
8. Remove mainshaft front bearing.



### INSPECTION

#### Gear and shaft

- Check shaft for cracks, wear or bending.
- Check gears for excessive wear, chips or cracks.



#### Synchronizer

- Check spline portion of coupling sleeves, hubs and gears for wear or cracks.
- Check baulk rings for cracks or deformation.
- Check insert springs for deformation.

GI

MA

EM

LC

EC

FE

CL

MT

AT

FA

RA

BR

ST

RS

BT

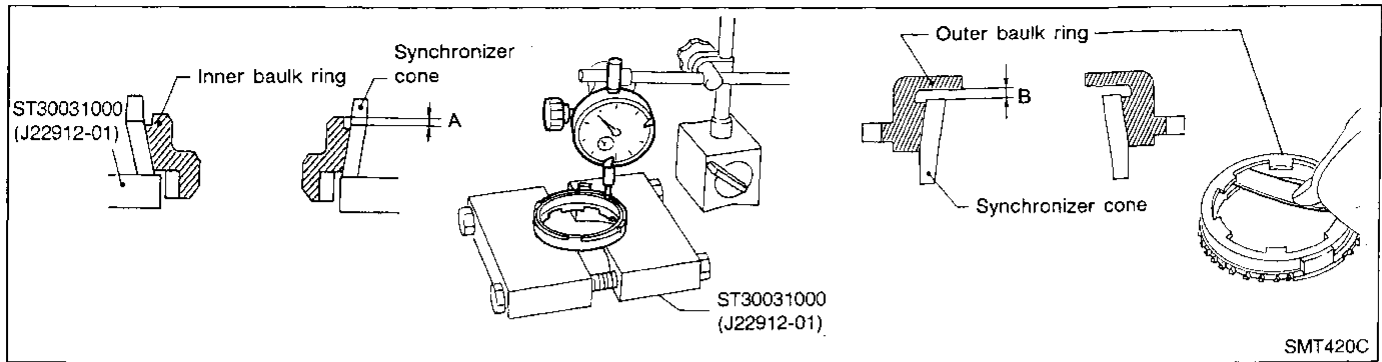
HA

EL

IDX

# REPAIR FOR COMPONENT PARTS

## Mainshaft and Gears (Cont'd)



- Measure wear of 1st and 2nd double baulk rings.
- a. Place baulk rings in position on synchronizer cone.
- b. While holding baulk ring against synchronizer cone as far as it will go, measure dimensions "A" and "B".

### Standard:

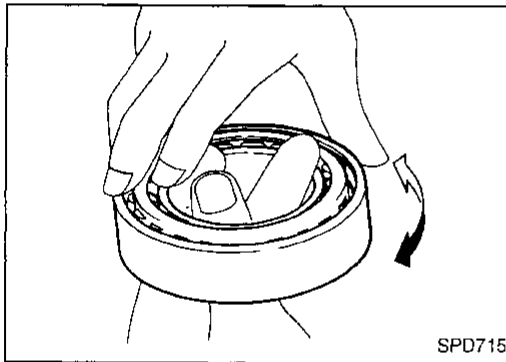
**A 0.6 - 0.8 mm (0.024 - 0.031 in)**

**B 0.6 - 1.1 mm (0.024 - 0.043 in)**

### Wear limit:

**0.2 mm (0.008 in)**

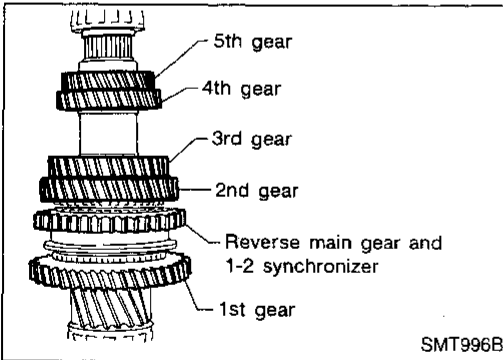
- c. If dimension "A" or "B" is smaller than the wear limit, replace baulk ring.



SPD715

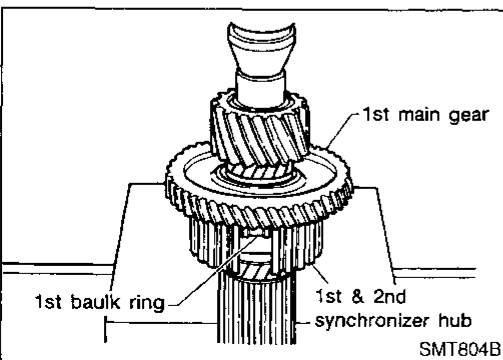
### Bearing

- Make sure bearings roll freely and are free from noise, cracks, pitting or wear.
- **When replacing tapered roller bearing, replace outer and inner race as a set.**



SMT996B

### ASSEMBLY



SMT804B

1. Press on 1st main gear, 1st baulk ring and 1st & 2nd synchronizer hub.
- **Pay attention to direction of 1st & 2nd synchronizer hub.**
2. Select proper snap ring of 1st & 2nd synchronizer hub to minimize clearance of groove and then install it.

### Allowable clearance of groove:

**0 - 0.1 mm (0 - 0.004 in)**

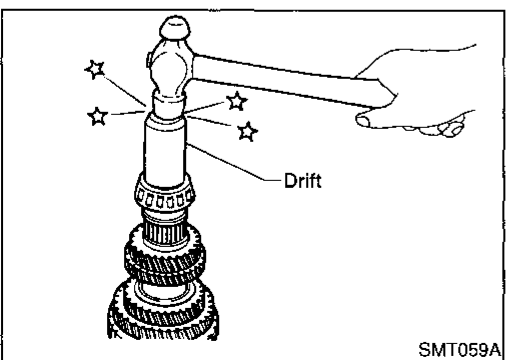
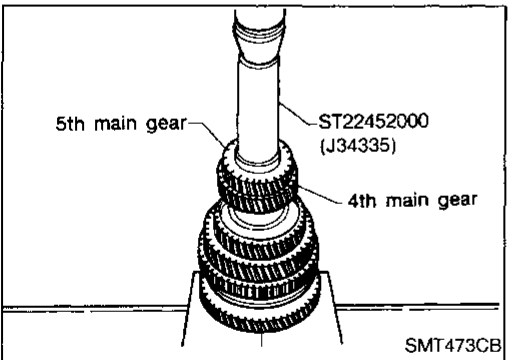
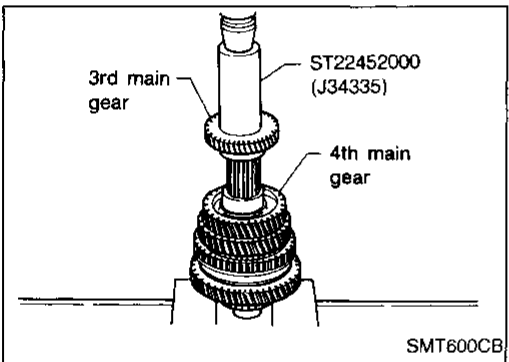
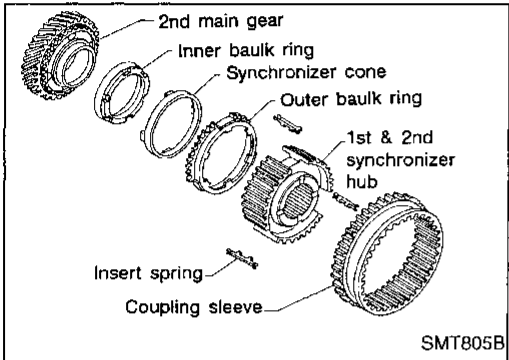
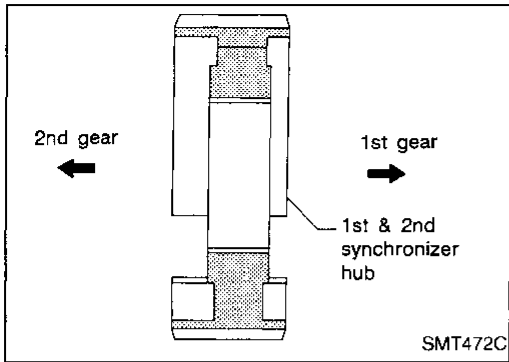
### Snap ring of 1st & 2nd synchronizer hub:

**Refer to SDS, MT-42.**



# REPAIR FOR COMPONENT PARTS

## Mainshaft and Gears (Cont'd)



3. Install 2nd synchronizer cone, inner & outer baulk rings. Insert springs and 1st & 2nd coupling sleeve.
4. Install 2nd main gear.
  - Ensure four protrusions of 2nd synchronizer cone are set in holes of 2nd main gear.

5. Press on 3rd main gear.
6. Press on 4th main gear.

7. Press on 5th main gear.
8. Select proper snap ring of 5th main gear to minimize clearance of groove and then install it.

**Allowable clearance of groove:**  
0 - 0.15 mm (0 - 0.0059 in)

**Snap ring of 5th main gear:**  
Refer to SDS, MT-42.

9. Press on thrust washer and press on mainshaft rear bearing.
10. Press on mainshaft front bearing.
11. Measure gear end play as a final check. Refer to "DISASSEMBLY", MT-22.

GI

MA

EM

LC

EC

FE

CL

MT

AT

FA

RA

BR

ST

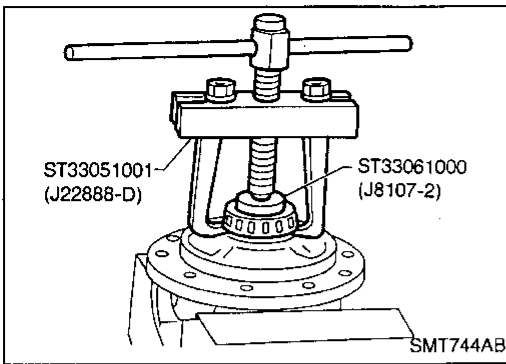
RS

BT

HA

EL

IDX

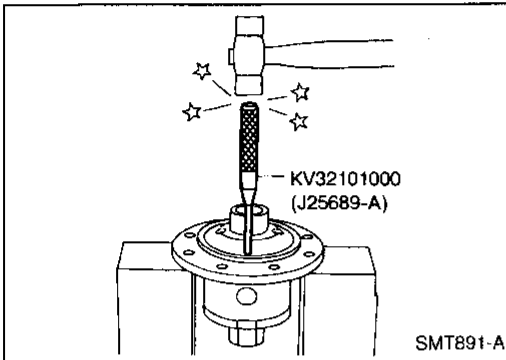


## Final Drive

### DISASSEMBLY

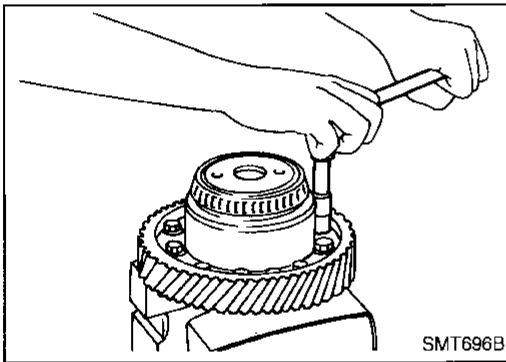
#### — RS5F50A —

1. Remove final gear.
2. Remove speedometer drive gear by cutting it.
3. Press out differential side bearings.
  - Be careful not to mix up the right and left bearings.
4. Drive out retaining pin and draw out pinion mate shaft.
5. Remove pinion mate gears and side gears.

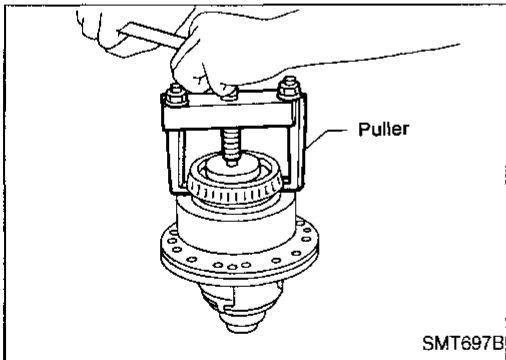


#### — RS5F50V —

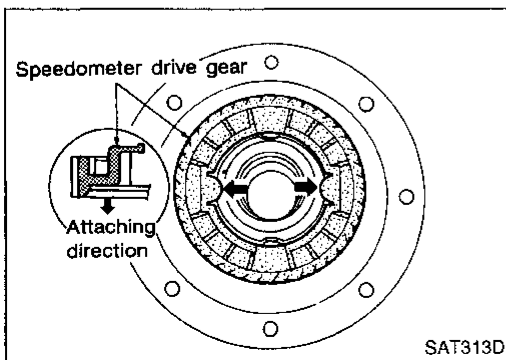
1. Remove final gear.



2. Press out differential side bearings.

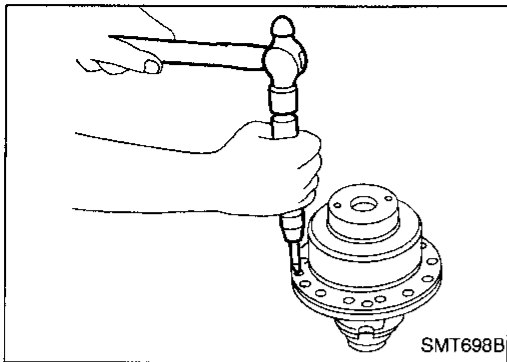


3. Remove speedometer drive gear.

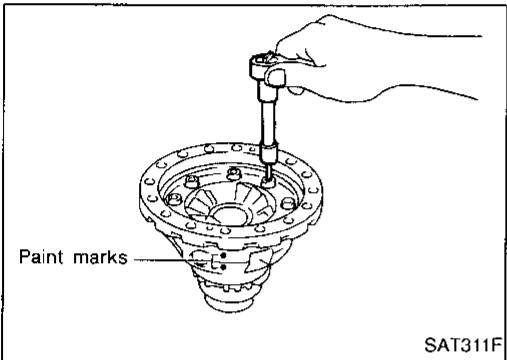


# REPAIR FOR COMPONENT PARTS

## Final Drive (Cont'd)

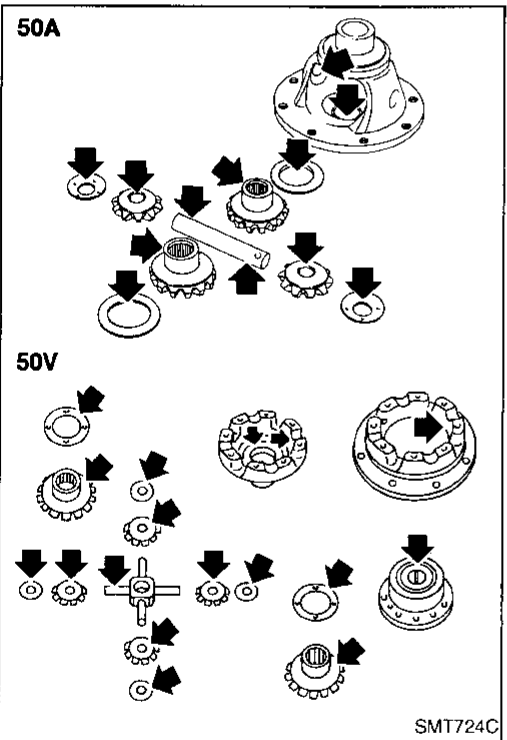


4. Remove viscous coupling.



5. Separate differential cases. Make paint marks to identify their original positions.

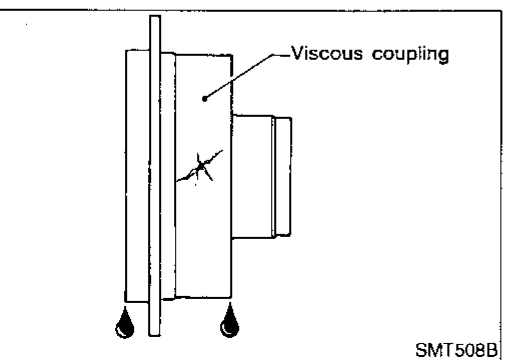
6. Remove pinion mate shaft with gears.



## INSPECTION

### Gear, washer, shaft and case

- Check mating surfaces of differential case, viscous coupling, side gears and pinion mate gears.
- Check washers for wear.



### Viscous coupling

- Check case for cracks.
- Check silicone oil for leakage.

GI

MA

EM

LC

EC

FE

CL

MT

AT

FA

RA

BR

ST

RS

BT

HA

EL

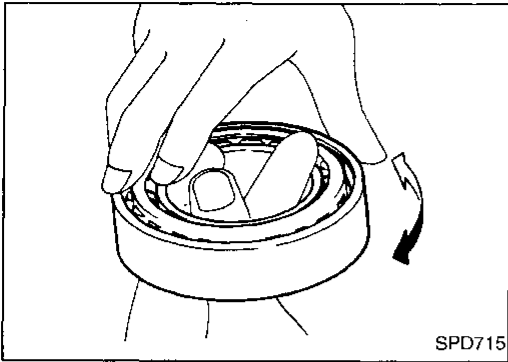
IDX

## REPAIR FOR COMPONENT PARTS

### Final Drive (Cont'd)

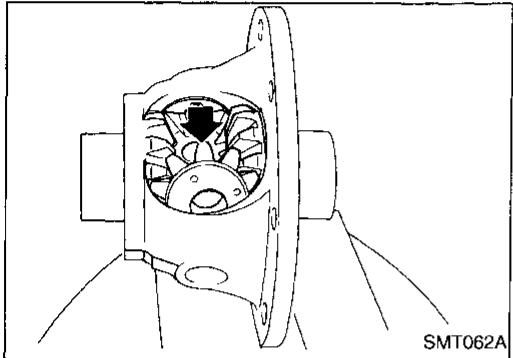
#### Bearings

- Make sure bearings roll freely and are free from noise, cracks, pitting or wear.
- **When replacing taper roller bearing, replace outer and inner race as a set.**

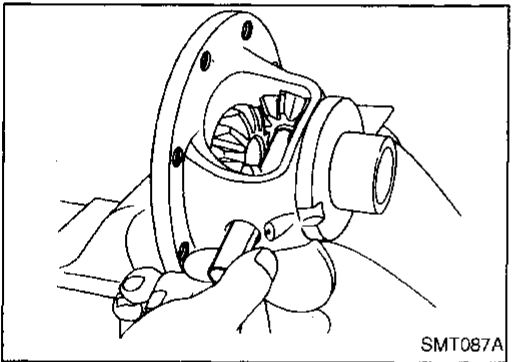


#### ASSEMBLY

1. Attach side gear thrust washers to side gears, then install pinion mate washers and pinion mate gears in place.



2. Insert pinion mate shaft.
  - **When inserting, be careful not to damage pinion mate thrust washers.**



#### — RS5F50A —

3. Measure clearance between side gear and differential case with washers following the procedure below:

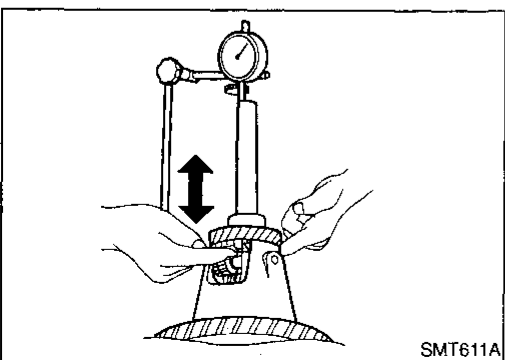
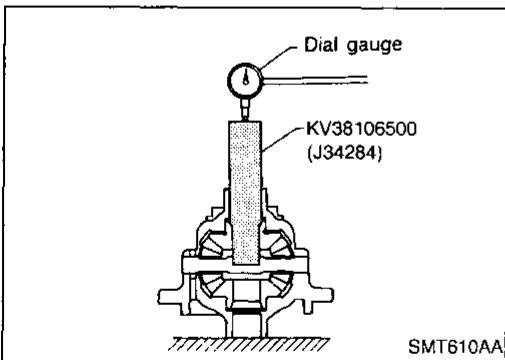
- a. Set Tool and dial indicator on side gear.
- b. Move side gear up and down to measure dial indicator deflection. Always measure indicator deflection on both side gears.

**Clearance between side gear and differential case with washers:**

**0.1 - 0.2 mm (0.004 - 0.008 in)**

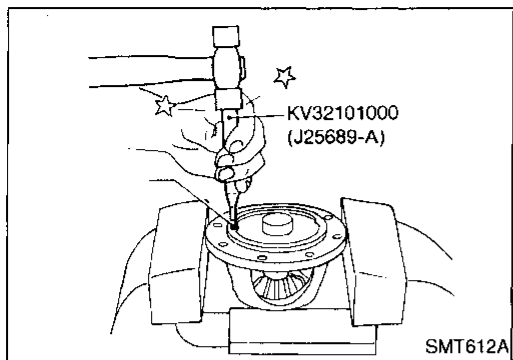
- c. If not within specification, adjust clearance by changing thickness of side gear thrust washers.

**Side gear thrust washer:  
Refer to SDS, MT-42.**

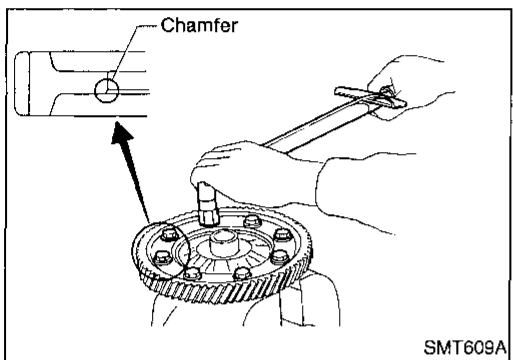


# REPAIR FOR COMPONENT PARTS

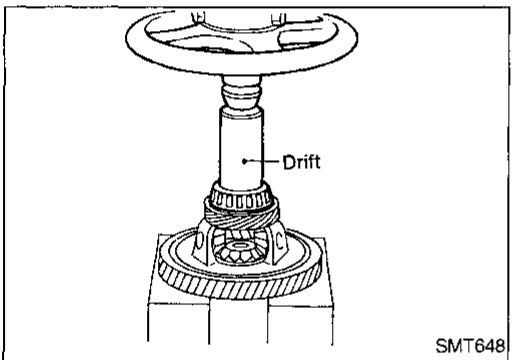
## Final Drive (Cont'd)



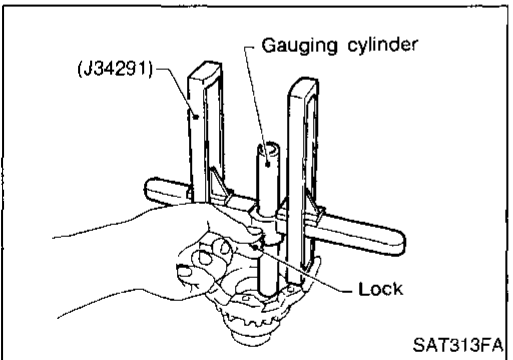
4. Install retaining pin.
  - Make sure that retaining pin is flush with case.



5. Install final gear.
6. Install speedometer drive gear.



7. Press on differential side bearings.

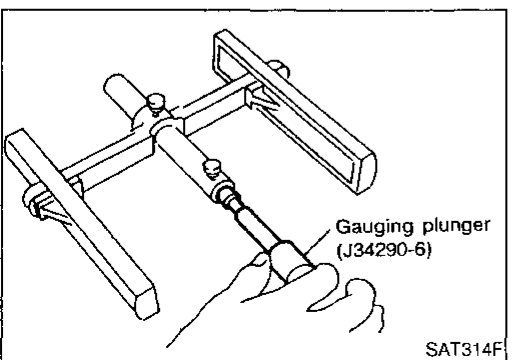


### — RS5F50V —

3. Measure clearance between side gear and differential case & viscous coupling with washers using the following procedure:

#### Differential case side

- a. Set tool on the differential case and lock gauging cylinder in place with set screw.



- b. Install gauging plunger into cylinder.

GI

MA

EM

LC

EC

FE

CL

MT

AT

FA

RA

BR

ST

RS

BT

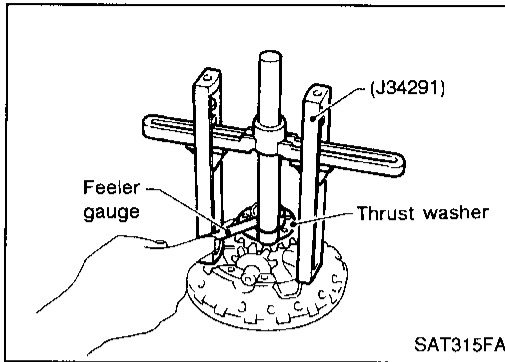
HA

EL

IDX

## REPAIR FOR COMPONENT PARTS

### Final Drive (Cont'd)



- c. Install pinion mate gears and side gear with thrust washer on differential case.
- d. Set tool and allow gauging plunger to rest on side gear thrust washer.
- e. Measure gap between plunger and cylinder.  
This measurement should give exact clearance between side gear and differential case with washers.

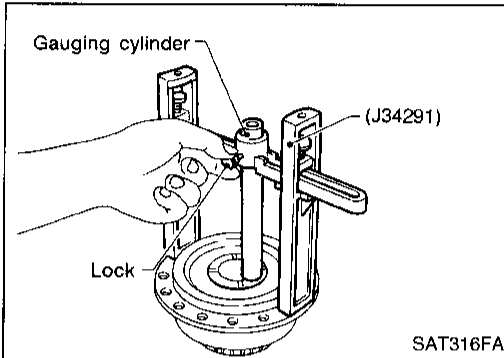
**Standard clearance: 0.1 - 0.2 mm (0.004 - 0.008 in)**

- f. If not within specification adjust clearance by changing thickness of side gear thrust washer.

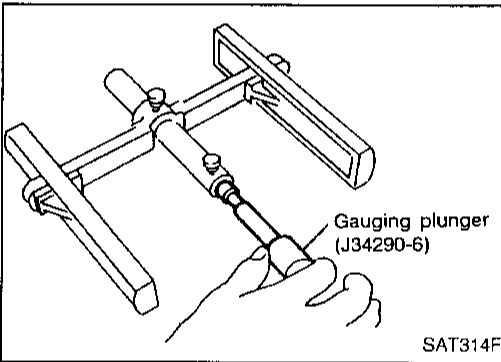
**Side gear thrust washers for differential case side:**

**Refer to SDS, MT-43.**

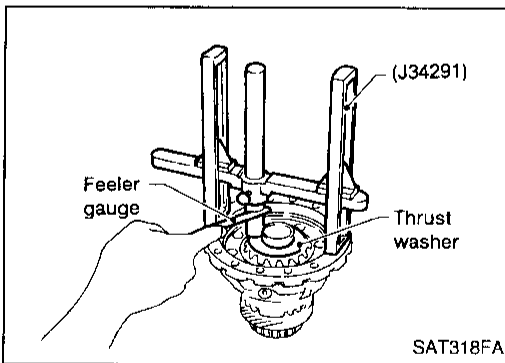
### Viscous coupling side



- a. Place side gear and thrust washer on pinion mate gears installed on differential case.
- b. Measure dimension X.
- **Measure dimension X in at least four places.**
- a. Set tool on viscous coupling and lock gauging cylinder in place with set screw.



- b. Install gauging plunger into cylinder.



- c. Install pinion mate gears and side gears with original washers on differential cases.

### Align paint marks.

- d. Tighten differential case bolts.
- e. Set tool and allow plunger to rest on side gear thrust washer.
- f. Measure gap between plunger and cylinder.  
This measurement should give exact clearance between side gear and differential case with washers.

**Standard clearance:**

**0.1 - 0.2 mm (0.004 - 0.008 in)**

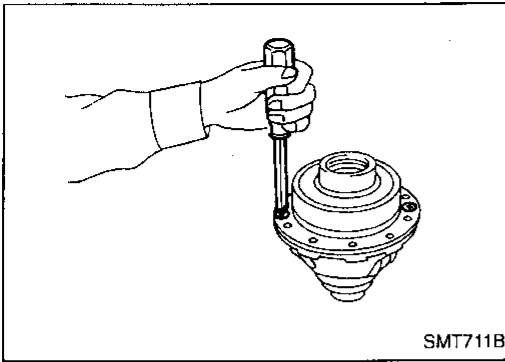
- g. If not within specification, adjust clearance by changing thickness of side gear thrust washer.

**Side gear thrust washers for viscous coupling side:**

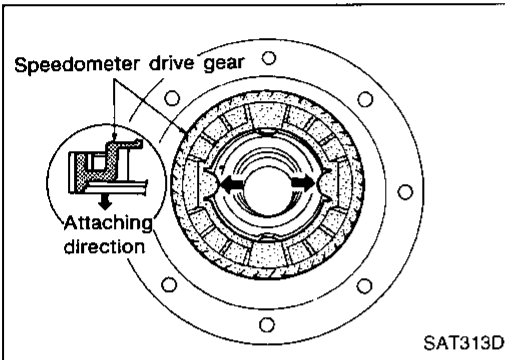
**Refer to SDS, MT-43.**

# REPAIR FOR COMPONENT PARTS

## Final Drive (Cont'd)

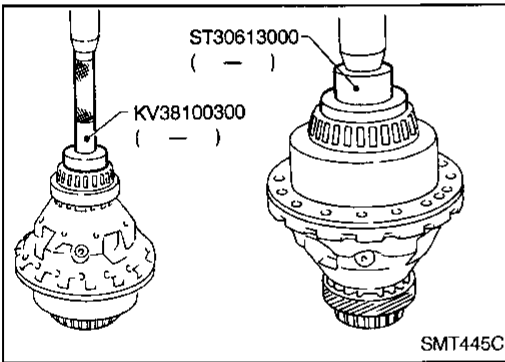


4. Install viscous coupling.

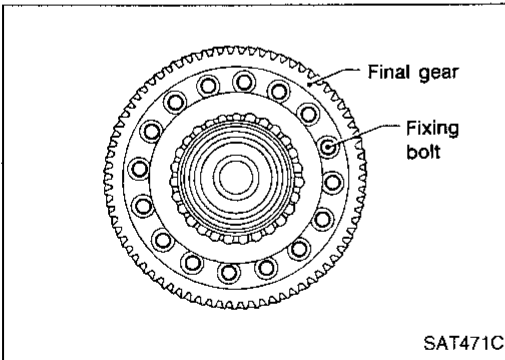


5. Install speedometer drive gear on differential case.

- **Align the projection of speedometer drive gear with the groove of differential case.**



6. Press differential side bearings on differential case.



7. Install final gear and tighten fixing bolts in a crisscross pattern.

GI

MA

EM

LC

EC

FE

CL

MT

AT

FA

RA

BR

ST

RS

BT

HA

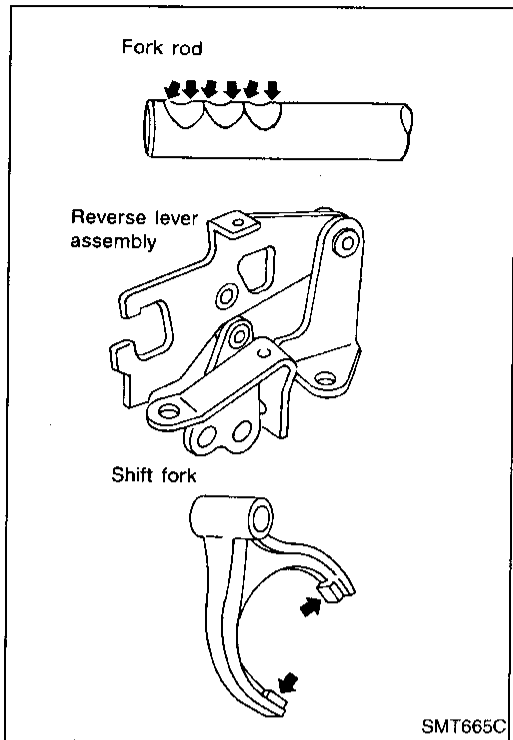
EL

IDX

## Shift Control Components

### INSPECTION

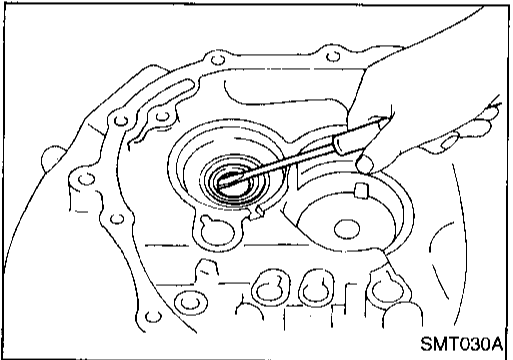
- Check contact surface and sliding surface for wear, scratches, projections or other damage.



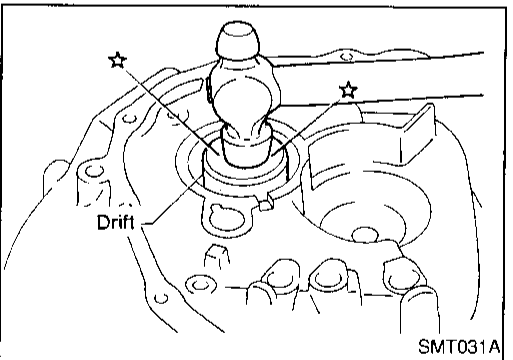
## Case Components

### REMOVAL AND INSTALLATION

#### Input shaft oil seal



- Apply multi-purpose grease to seal lip of oil seal before installing.

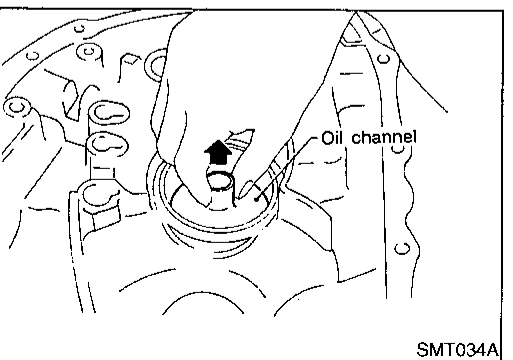


#### Mainshaft front bearing outer race

- Extract the oil channel and remove the mainshaft front bearing outer race.

#### Mainshaft rear bearing outer race Refer to "ADJUSTMENT", MT-34.

#### Differential side bearing outer race Refer to "ADJUSTMENT", MT-33.





# ADJUSTMENT

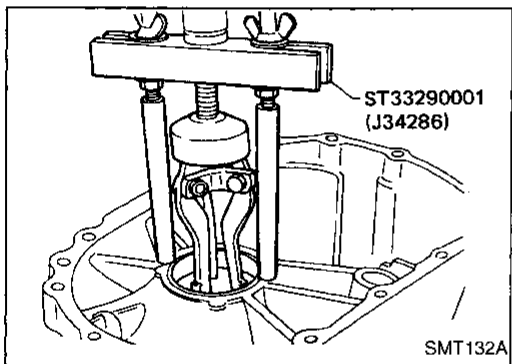
## Input Shaft End Play and Differential Side Bearing Preload

If any of the following parts are replaced, adjust input shaft end play.

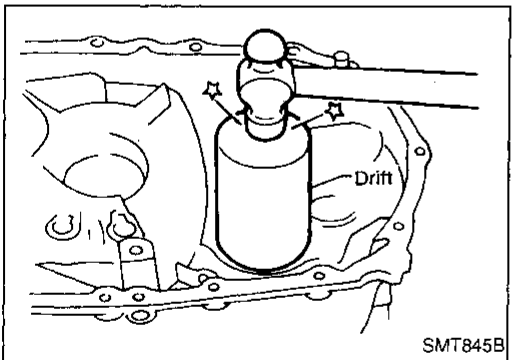
- Input shaft
- Input shaft bearing
- Clutch housing
- Transmission case

If any of the following parts are replaced, adjust differential side bearing preload.

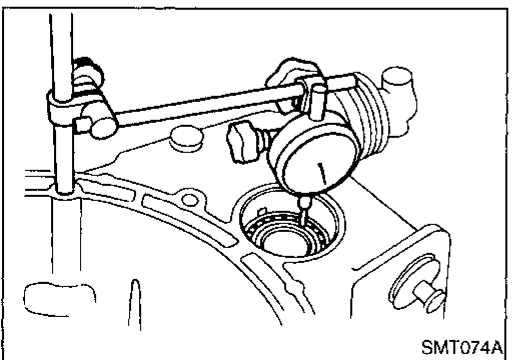
- Differential case
- Differential side bearing
- Clutch housing
- Transmission case



1. Remove differential side bearing outer race (transmission case side) and shim(s).



2. Reinstall differential side bearing outer race without shim(s).
3. Install input shaft and final drive assembly on clutch housing.
4. Install transmission case without input shaft bearing shim(s). Then tighten it to the specified torque. Refer to MT-11.



5. Using the following procedures, measure clearance between bearings and transmission case.

- **Differential side**
  - a. Attach dial indicator. If clamp diameter of dial indicator is too small or too large, attach dial indicator using a magnetic stand.

GI

MA

EM

LC

EC

FE

CL

MT

AT

FA

RA

BR

ST

RS

BT

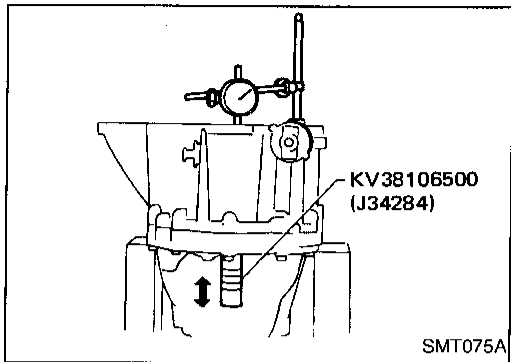
HA

EL

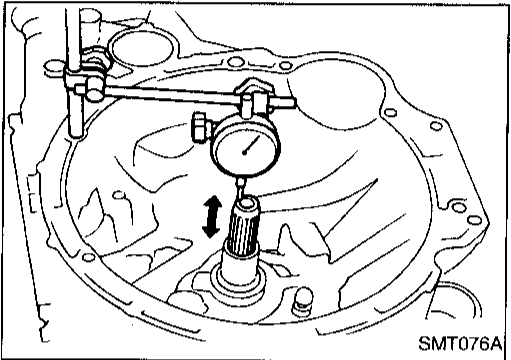
IDX

## ADJUSTMENT

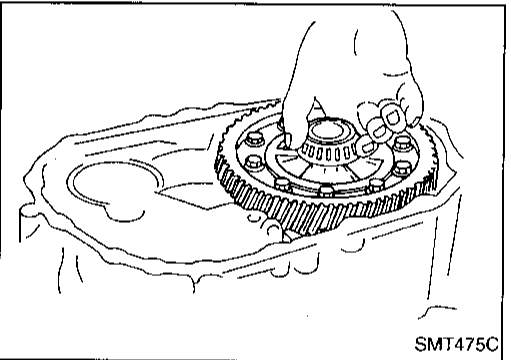
### Input Shaft End Play and Differential Side Bearing Preload (Cont'd)



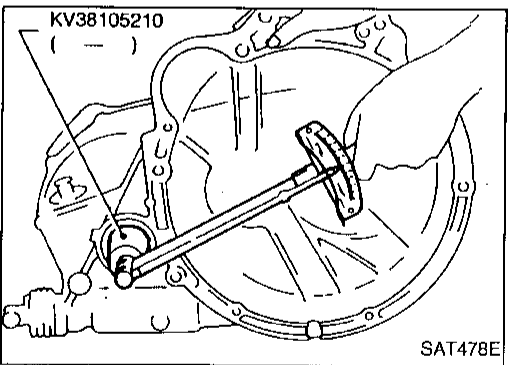
- b. Insert Tool all the way into differential side gear. Move Tool up and down and measure dial indicator deflection.



- **Input shaft side**
  - a. Set dial indicator on end of input shaft.
  - b. Move input shaft up and down and measure dial indicator deflection.
- 6. Select shims with proper thickness with SDS table as a guide. Refer to MT-45.
- 7. Install selected differential side bearing adjusting shim and differential side bearing outer race.



8. Check differential side bearing turning torque.
  - a. Install final drive assembly on clutch housing.
  - b. Install transmission case on clutch housing.
- **Tighten transmission case fixing bolts to the specified torque. Refer to MT-11.**



- c. Measure turning torque of final drive assembly.

**Turning torque of final drive assembly  
(New bearing):**  
4.9 - 7.8 N·m (50 - 80 kg·cm, 43 - 69 in·lb)
- **When old bearing is used again, turning torque will be slightly less than the above.**
- **Make sure torque is close to the specified range.**

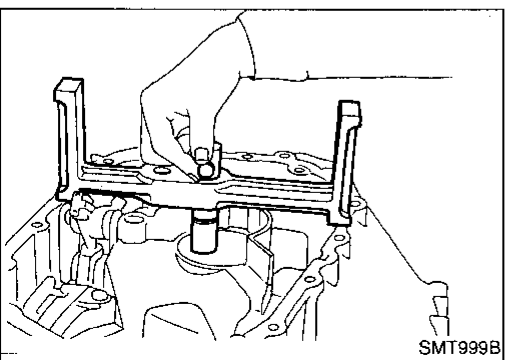
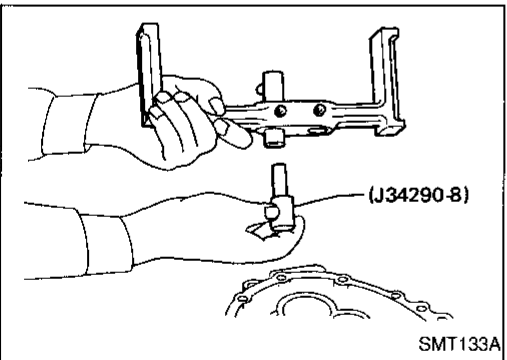
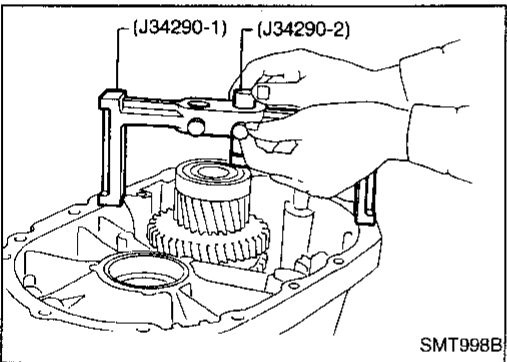
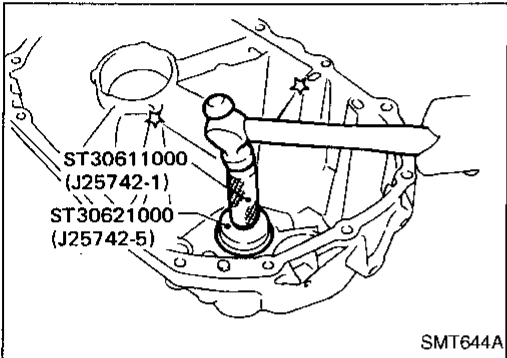
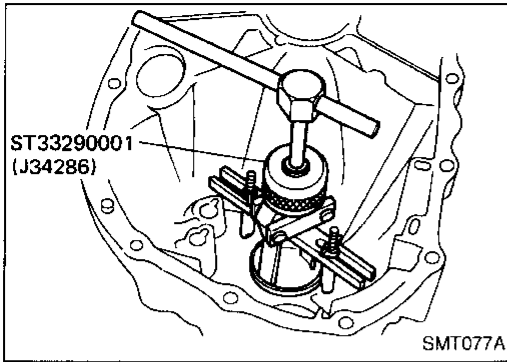
### Mainshaft Bearing Preload

If any of the following parts are replaced, adjust mainshaft bearing preload.

- **Mainshaft**
- **Mainshaft bearings**
- **Clutch housing**
- **Transmission case**

## ADJUSTMENT

### Mainshaft Bearing Preload (Cont'd)



1. Remove mainshaft rear bearing outer race and shim(s).

2. Reinstall mainshaft rear bearing outer race without shims.

3. Clean mating surfaces of clutch housing and transmission case with solvent.

4. Install mainshaft and mainshaft front bearing outer race into transmission case. Turn mainshaft while holding bearing outer race so that bearings are properly seated.

5. Place Tools (bridge and gauging cylinder) onto machined surface of transmission case. Allow gauging cylinder to rest on surface of mainshaft front bearing outer race. Use proper screw in bridge to lock gauging cylinder in place.

6. Turn bridge over and place Tool (gauging plunger) into gauging cylinder.

7. Place bridge, legs up, onto machined surface of clutch housing. Allow gauging plunger to rest upon mating surface where mainshaft front bearing outer race fits.

GI

MA

EM

LC

EC

FE

CL

MT

AT

FA

RA

BR

ST

RS

BT

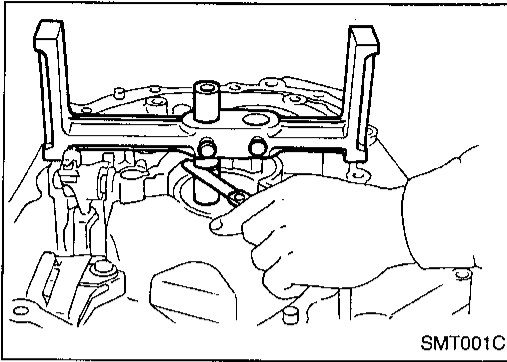
HA

EL

IDX

## ADJUSTMENT

### Mainshaft Bearing Preload (Cont'd)

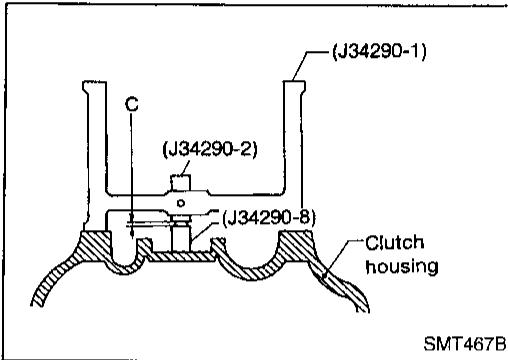


8. Measure with feeler gauge distance between gauging cylinder and shoulder of gauging plunger.
9. Use feeler gauge reading to select correct mainshaft preload shim(s).

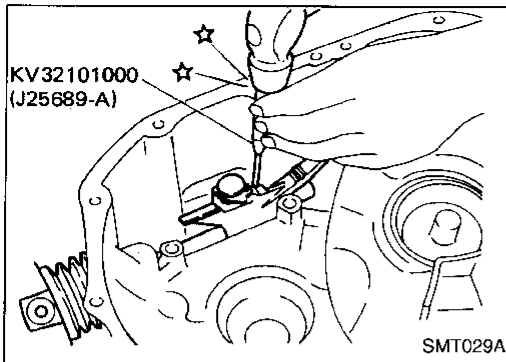
#### Mainshaft bearing adjusting shim:

Refer to SDS, MT-43.

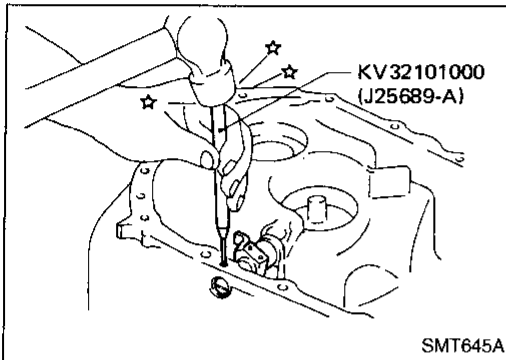
10. Install selected mainshaft bearing adjusting shim and mainshaft bearing outer race.
11. Check total turning torque after assembly. Refer to "ASSEMBLY", MT-40.



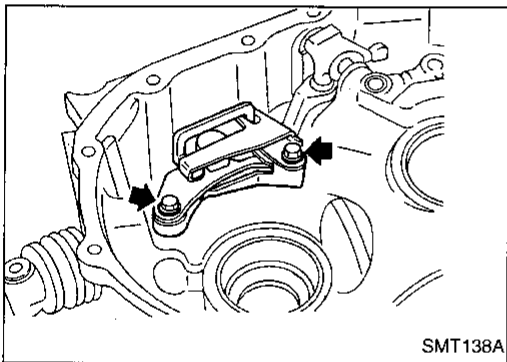
# ASSEMBLY



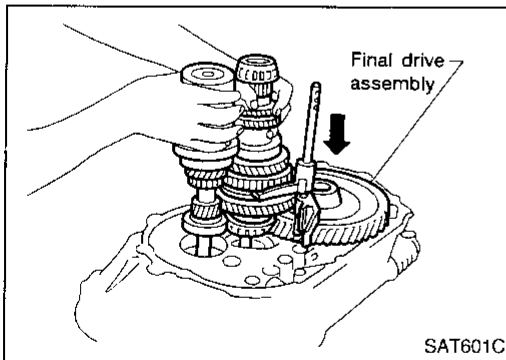
1. Install striking lever and striking rod.



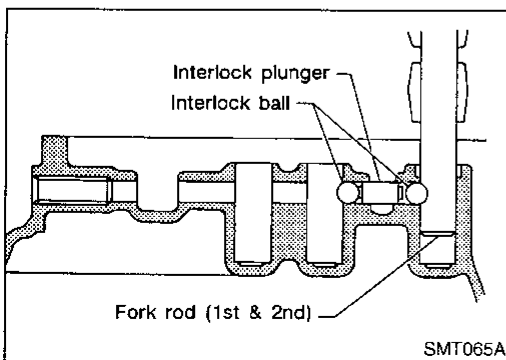
2. Install selector and retaining pin.



3. Install check ball and reverse check assembly.
  - Before installation, rotate striking rod as shown in the figure to avoid interference.



4. Install final drive assembly.
5. Install input shaft and mainshaft with 1st & 2nd shift fork assembly.
  - Be careful not to damage input shaft oil seal.



6. Install interlock balls and plunger.

GI

MA

EM

LC

EC

FE

CL

MT

AT

FA

RA

BR

ST

RS

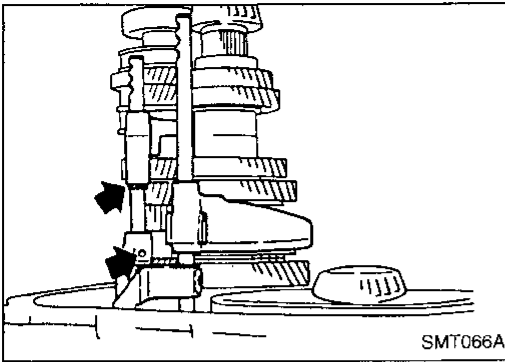
BT

HA

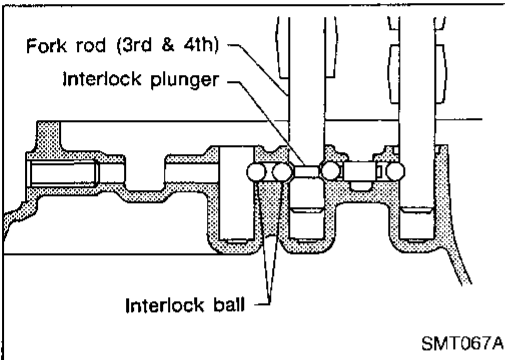
EL

IDX

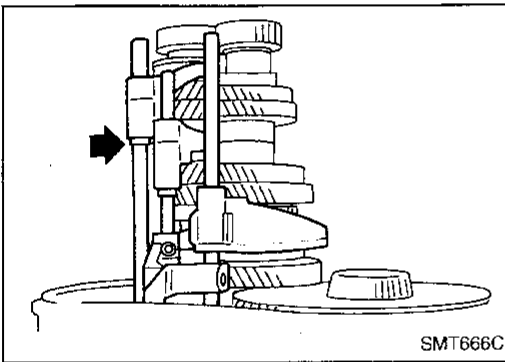
# ASSEMBLY



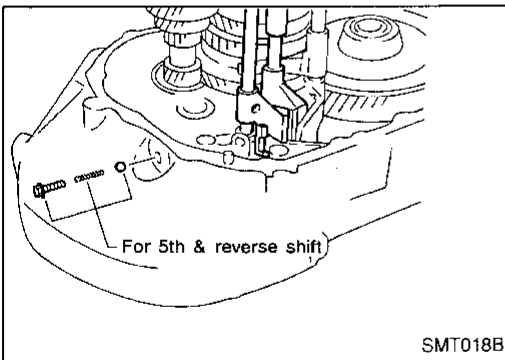
7. Install 3rd & 4th shift fork and bracket, then install 3rd & 4th fork rod, stopper ring and retaining pin.



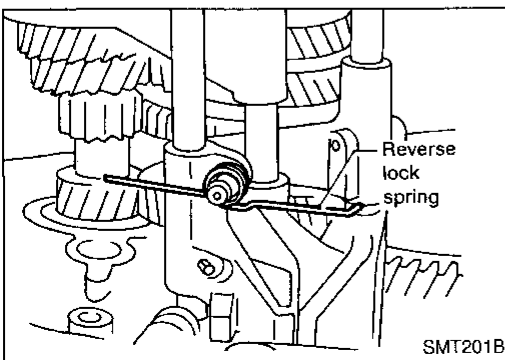
8. Install interlock balls.



9. Install 5th shift fork, then install fork rod, stopper ring and retaining pin.

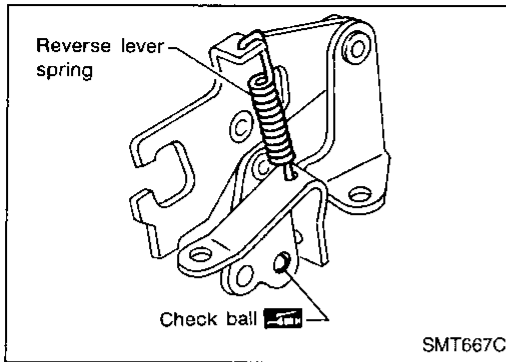


10. Install 5th & reverse check plug, spring and ball.
  - Apply sealant to bolt threads. Refer to MT-13.



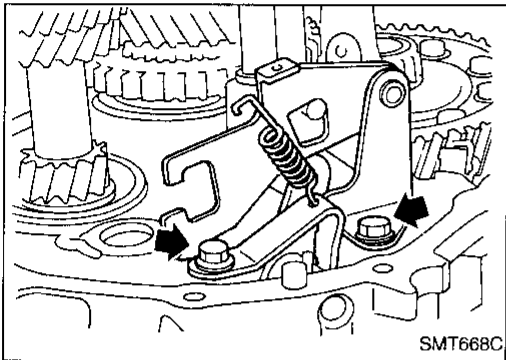
11. Install reverse lock spring on 5th & reverse bracket.
  - Pay attention to its direction.

# ASSEMBLY

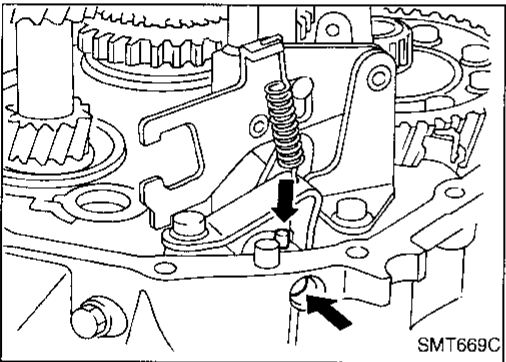


12. Install check ball and reverse lever spring on reverse lever assembly.

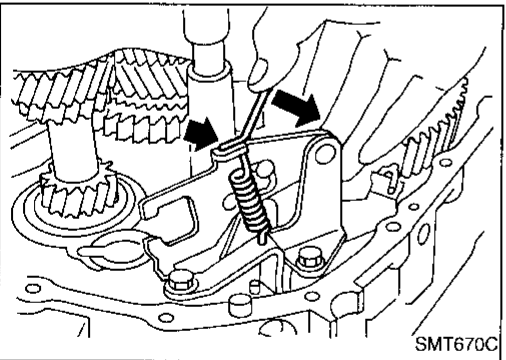
- Apply multi-purpose grease to check ball.
- Pay attention to direction of reverse lever spring.



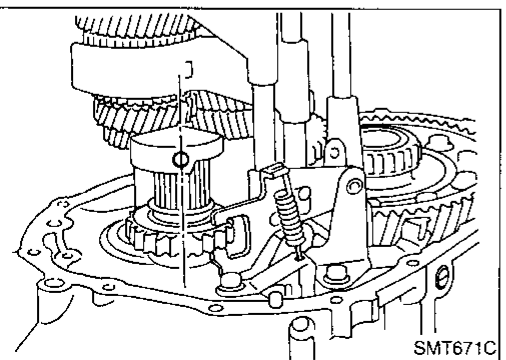
13. Install reverse lever assembly on clutch housing.



14. Install reverse arm shaft and retaining pin.



15. Hook reverse lock spring and reverse lever spring on reverse lever assembly.



16. Mesh 4th gear, then install reverse idler gear and shaft.

- Pay attention to direction of tapped hole.

GI

MA

EM

LC

EC

FE

CL

**MT**

AT

FA

RA

BR

ST

RS

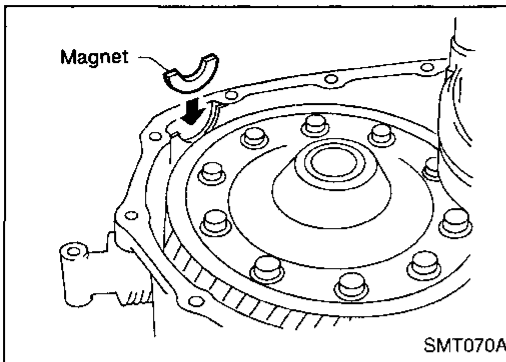
BT

HA

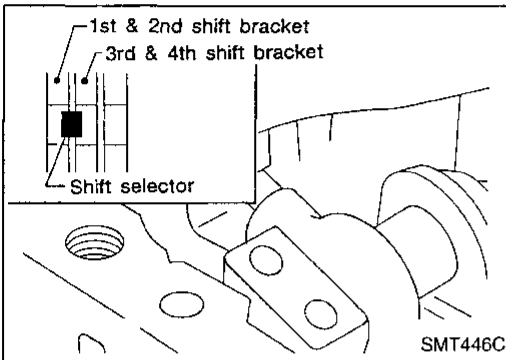
EL

IDX

## ASSEMBLY



17. Place magnet on clutch housing.

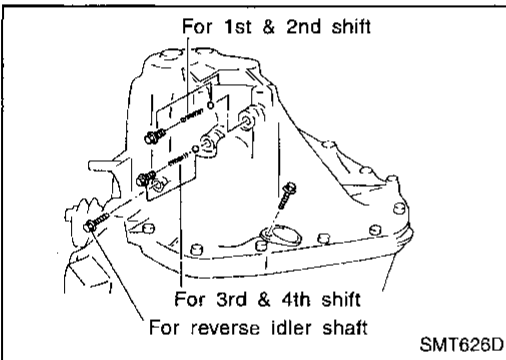


18. If bearing preload of mainshaft was adjusted, install selected shim(s) into transmission case.

- To aid in installation of transmission case, place shift selector in the 1st and 2nd shift bracket or between 1st and 2nd bracket and 3rd and 4th bracket.

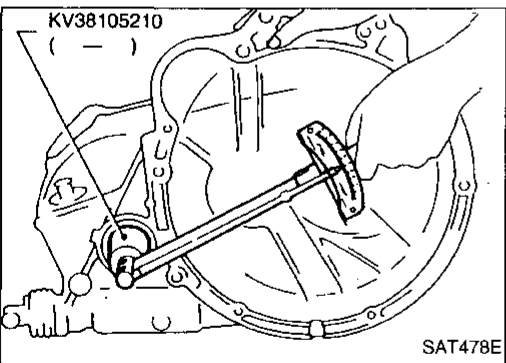
19. Apply sealant to mating surface of transmission case and install it. Refer to MT-11.

20. Install PNP switch.



21. Apply sealant to threads of check plugs. Install balls, springs and plugs. Refer to MT-13.

22. After assembly, check that you can shift into each gear smoothly.



23. Measure total turning torque.

**Total turning torque (New bearing):**

**8.8 - 21.6 N·m (90 - 220 kg·cm, 78 - 191 in·lb)**

- When old bearing is used again, preload will be slightly less than the above. Make sure torque is close to the specified range.



# SERVICE DATA AND SPECIFICATIONS (SDS)

## General Specifications

### TRANSAXLE

Engine	VQ30DE		
Transaxle model	RS5F50A	RS5F50V	
Number of speeds	5		
Synchromesh type	Wamer		
Shift pattern			
	Gear ratio	Number of teeth	
		Input gear	Main gear
1st	3.285	14	46
2nd	1.850	20	37
3rd	1.272	33	42
4th	0.954	44	42
5th	0.795	49	39
Rev.	3.428	14	48
Reverse idler gear	29		
Oil capacity liter (US pt, Imp pt)	4.5 - 4.8 (9-1/2 - 10-1/8, 7-7/8 - 8-1/2)	4.3 - 4.5 (9-1/8 - 9-1/2, 7-5/8 - 7-7/8)	
Remarks	Double bault ring type syn- chronizer	1st & 2nd synchronizer	

### FINAL GEAR

Engine	VQ30DE		
Transaxle model	RS5F50A	RS5F50V	
Final gear ratio	3.823		
Number of teeth	65/17		
Final gear/Pinion	65/17		
Side gear/Pinion	14/10	16/10	

### Inspection and Adjustment

#### GEAR END PLAY

Unit: mm (in)

Gear	End play
1st main gear	0.23 - 0.43 (0.0091 - 0.0169)
2nd main gear	0.23 - 0.58 (0.0091 - 0.0228)
3rd input gear	0.23 - 0.43 (0.0091 - 0.0169)
4th input gear	0.25 - 0.55 (0.0098 - 0.0217)
5th input gear	0.23 - 0.48 (0.0091 - 0.0189)

#### CLEARANCE BETWEEN BAULK RING AND GEAR

##### 3rd, 4th & 5th

Unit: mm (in)

	Standard	Wear limit
3rd & 4th	1.0 - 1.35 (0.0394 - 0.0531)	0.7 (0.028)
5th	1.0 - 1.35 (0.0394 - 0.0531)	0.7 (0.028)

GI

MA

EM

LC

EC

FE

CL

MT

AT

FA

RA

BR

ST

RS

BT

HA

EL

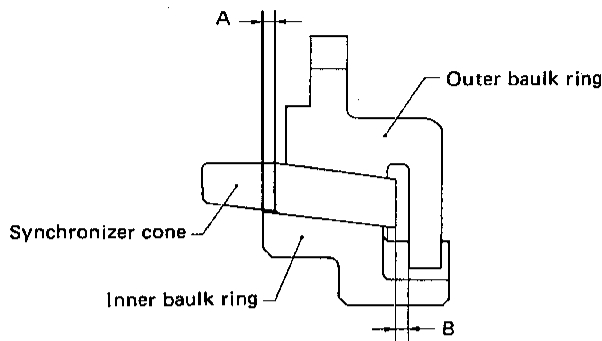
IDX

# SERVICE DATA AND SPECIFICATIONS (SDS)

## Inspection and Adjustment (Cont'd)

### 1st and 2nd double baulk ring

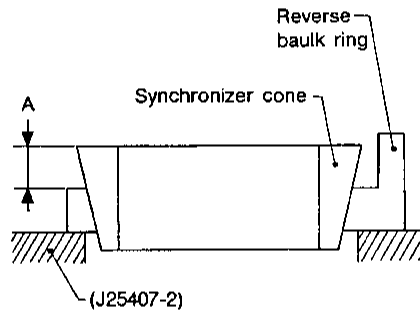
Unit: mm (in)



SMT806B

Dimension	Standard	Wear limit
A	0.6 - 0.8 (0.024 - 0.031)	0.2 (0.008)
B	0.6 - 1.1 (0.024 - 0.043)	

### Reverse baulk ring



SMT581B

Dimension	Wear limit
A	1.2 mm (0.047 in)

### AVAILABLE SNAP RING

#### 1st & 2nd synchronizer hub (At mainshaft)

Thickness mm (in)	Part number
1.95 (0.0768)	32269-03E03
2.00 (0.0787)	32269-03E00
2.05 (0.0807)	32269-03E01
2.10 (0.0827)	32269-03E02

#### 3rd & 4th synchronizer hub (At input shaft)

Thickness mm (in)	Part number
1.95 (0.0768)	32269-03E03
2.00 (0.0787)	32269-03E00
2.05 (0.0807)	32269-03E01
2.10 (0.0827)	32269-03E02

#### 5th main gear (At mainshaft)

Thickness mm (in)	Part number
1.95 (0.0768)	32348-05E00
2.05 (0.0807)	32348-05E01
2.15 (0.0846)	32348-05E02
2.25 (0.0886)	32348-05E03

### AVAILABLE THRUST WASHER

#### 4th input gear (At input shaft)

Thickness mm (in)	Part number
4.500 (0.1772)	32278-03E01
4.525 (0.1781)	32278-03E02
4.550 (0.1791)	32278-03E03
4.575 (0.1801)	32278-03E04

#### Differential side gear thrust washer — RS5F50A

Thickness mm (in)	Part number
0.75 - 0.80 (0.0295 - 0.0315)	38424-E3020
0.80 - 0.85 (0.0315 - 0.0335)	38424-E3021
0.85 - 0.90 (0.0335 - 0.0354)	38424-E3022
0.90 - 0.95 (0.0354 - 0.0374)	38424-E3023

# SERVICE DATA AND SPECIFICATIONS (SDS)

## Inspection and Adjustment (Cont'd)

### Differential side gear thrust washer — RS5F50V

Allowable clearance between side gear and (differential case or viscous coupling) with washer 0.1 - 0.2 mm  
(0.004 - 0.008 in)

	Thickness mm (in)	Part number
Differential case side	0.75 - 0.80 (0.0295 - 0.0315)	38424-E3000
	0.80 - 0.85 (0.0315 - 0.0335)	38424-E3001
	0.85 - 0.90 (0.0335 - 0.0354)	38424-E3002
	0.90 - 0.95 (0.0354 - 0.0374)	38424-E3003
Viscous coupling side	0.43 - 0.45 (0.0169 - 0.0177)	38424-51E10
	0.52 - 0.54 (0.0205 - 0.0213)	38424-51E11
	0.61 - 0.63 (0.0240 - 0.0248)	38424-51E12
	0.70 - 0.72 (0.0276 - 0.0283)	38424-51E13
	0.79 - 0.81 (0.0311 - 0.0319)	38424-51E14

### AVAILABLE SHIM

#### — INPUT SHAFT END PLAY AND MAINSHAFT AND DIFFERENTIAL SIDE BEARING PRELOAD AND ADJUSTING SHIM

#### Bearing preload and end play

Unit: mm (in)

Mainshaft bearing preload	0.06 - 0.11 (0.0024 - 0.0043)
Input shaft end play	0 - 0.05 (0 - 0.0020)
Differential side bearing preload	0.40 - 0.45 (0.0157 - 0.0177)

#### Turning torque (New bearing)

Unit: N·m (kg·cm, in·lb)

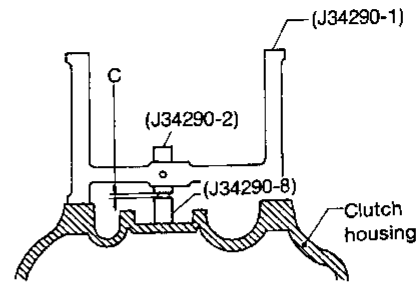
Final drive only	4.9 - 7.8 (50 - 80, 43 - 69)
Total	8.8 - 21.6 (90 - 220, 78 - 191)

#### Mainshaft bearing adjusting shim

Thickness mm (in)	Part number
0.40 (0.0157)	32139-03E11
0.44 (0.0173)	32139-03E00
0.48 (0.0189)	32139-03E01
0.52 (0.0205)	32139-03E12
0.56 (0.0220)	32139-03E02
0.60 (0.0236)	32139-03E03
0.64 (0.0252)	32139-03E04
0.68 (0.0268)	32139-03E05
0.72 (0.0283)	32139-03E06
0.76 (0.0299)	32139-03E07
0.80 (0.0315)	32139-03E08
1.20 (0.0472)	32139-03E13

### Table for selecting mainshaft bearing adjusting shim

Unit: mm (in)



SMT467B

Dimension "C"	Suitable shim(s)
0.30 - 0.34 (0.0118 - 0.0134)	0.40 (0.0157)
0.34 - 0.38 (0.0134 - 0.0150)	0.44 (0.0173)
0.38 - 0.42 (0.0150 - 0.0165)	0.48 (0.0189)
0.42 - 0.46 (0.0165 - 0.0181)	0.52 (0.0205)
0.46 - 0.50 (0.0181 - 0.0197)	0.56 (0.0220)
0.50 - 0.54 (0.0197 - 0.0213)	0.60 (0.0236)
0.54 - 0.58 (0.0213 - 0.0228)	0.64 (0.0252)
0.58 - 0.62 (0.0228 - 0.0244)	0.68 (0.0268)
0.62 - 0.66 (0.0244 - 0.0260)	0.72 (0.0283)
0.66 - 0.70 (0.0260 - 0.0276)	0.76 (0.0299)
0.70 - 0.74 (0.0276 - 0.0291)	0.80 (0.0315)
0.74 - 0.78 (0.0291 - 0.0307)	0.40 + 0.44 (0.0157 + 0.0173)
0.78 - 0.82 (0.0307 - 0.0323)	0.44 + 0.44 (0.0173 + 0.0173)
0.82 - 0.86 (0.0323 - 0.0339)	0.44 + 0.48 (0.0173 + 0.0189)
0.86 - 0.90 (0.0339 - 0.0354)	0.48 + 0.48 (0.0189 + 0.0189)
0.90 - 0.94 (0.0354 - 0.0370)	0.48 + 0.52 (0.0189 + 0.0205)
0.94 - 0.98 (0.0370 - 0.0386)	0.52 + 0.52 (0.0205 + 0.0205)
0.98 - 1.02 (0.0386 - 0.0402)	0.52 + 0.56 (0.0205 + 0.0220)
1.02 - 1.06 (0.0402 - 0.0417)	0.56 + 0.56 (0.0220 + 0.0220)
1.06 - 1.10 (0.0417 - 0.0433)	0.56 + 0.60 (0.0220 + 0.0236)
1.10 - 1.14 (0.0433 - 0.0449)	0.60 + 0.60 (0.0236 + 0.0236)
1.14 - 1.18 (0.0449 - 0.0465)	0.60 + 0.64 (0.0236 + 0.0252)
1.18 - 1.22 (0.0465 - 0.0480)	0.64 + 0.64 (0.0252 + 0.0252)
1.22 - 1.26 (0.0480 - 0.0496)	0.64 + 0.68 (0.0252 + 0.0268)
1.26 - 1.30 (0.0496 - 0.0512)	0.68 + 0.68 (0.0268 + 0.0268)
1.30 - 1.34 (0.0512 - 0.0528)	0.68 + 0.72 (0.0268 + 0.0283)
1.34 - 1.38 (0.0528 - 0.0543)	0.72 + 0.72 (0.0283 + 0.0283)
1.38 - 1.42 (0.0543 - 0.0559)	0.72 + 0.76 (0.0283 + 0.0299)
1.42 - 1.46 (0.0559 - 0.0575)	0.76 + 0.76 (0.0299 + 0.0299)
1.46 - 1.50 (0.0575 - 0.0591)	0.76 + 0.80 (0.0299 + 0.0315)

GI

MA

EM

LC

EC

FE

CL

MT

AT

FA

RA

BR

ST

RS

BT

HA

EL

IDX

# SERVICE DATA AND SPECIFICATIONS (SDS)

## Inspection and Adjustment (Cont'd)

### Input shaft bearing adjusting shim

Thickness mm (in)	Part number
0.40 (0.0157)	32225-08E00
0.44 (0.0173)	32225-08E01
0.48 (0.0189)	32225-08E02
0.52 (0.0205)	32225-08E03
0.56 (0.0220)	32225-08E04
0.60 (0.0236)	32225-08E05
0.64 (0.0252)	32225-08E06
0.68 (0.0268)	32225-08E07
0.72 (0.0283)	32225-08E08
0.76 (0.0299)	32225-08E09
0.80 (0.0315)	32225-08E10
1.20 (0.0472)	32225-08E11

### Differential side bearing adjusting shim — RS5F50A

Thickness mm (in)	Part number
0.40 (0.0157)	38453-96E00
0.44 (0.0173)	38453-96E01
0.48 (0.0189)	38453-96E02
0.52 (0.0205)	38453-96E03
0.56 (0.0220)	38453-96E04
0.60 (0.0236)	38453-96E05
0.64 (0.0252)	38453-96E06
0.68 (0.0268)	38453-96E07
0.72 (0.0283)	38453-96E08
0.76 (0.0299)	38453-96E09
0.80 (0.0315)	38453-96E10
0.84 (0.0331)	38453-96E11
0.88 (0.0346)	38453-96E12
1.20 (0.0472)	38453-96E13

### Table for selecting input shaft bearing adjusting shim(s)

Unit: mm (in)

Dial indicator indication	Suitable shim(s)
0.65 - 0.69 (0.0256 - 0.0272)	0.64 (0.0252)
0.69 - 0.73 (0.0272 - 0.0287)	0.68 (0.0268)
0.73 - 0.77 (0.0287 - 0.0303)	0.72 (0.0283)
0.77 - 0.81 (0.0303 - 0.0319)	0.76 (0.0299)
0.81 - 0.85 (0.0319 - 0.0335)	0.80 (0.0315)
0.85 - 0.89 (0.0335 - 0.0350)	0.40 + 0.44 (0.0157 + 0.0173)
0.89 - 0.93 (0.0350 - 0.0366)	0.44 + 0.44 (0.0173 + 0.0173)
0.93 - 0.97 (0.0366 - 0.0382)	0.44 + 0.48 (0.0173 + 0.0189)
0.97 - 1.01 (0.0382 - 0.0398)	0.48 + 0.48 (0.0189 + 0.0189)
1.01 - 1.05 (0.0398 - 0.0413)	0.48 + 0.52 (0.0189 + 0.0205)
1.05 - 1.09 (0.0413 - 0.0429)	0.52 + 0.52 (0.0205 + 0.0205)
1.09 - 1.13 (0.0429 - 0.0445)	0.52 + 0.56 (0.0205 + 0.0220)
1.13 - 1.17 (0.0445 - 0.0461)	0.56 + 0.56 (0.0220 + 0.0220)
1.17 - 1.21 (0.0461 - 0.0476)	0.56 + 0.60 (0.0220 + 0.0236)
1.21 - 1.25 (0.0476 - 0.0492)	0.60 + 0.60 (0.0236 + 0.0236)
1.25 - 1.29 (0.0492 - 0.0508)	0.60 + 0.64 (0.0236 + 0.0252)
1.29 - 1.33 (0.0508 - 0.0524)	0.64 + 0.64 (0.0252 + 0.0252)
1.33 - 1.37 (0.0524 - 0.0539)	0.64 + 0.68 (0.0252 + 0.0268)
1.37 - 1.41 (0.0539 - 0.0555)	0.68 + 0.68 (0.0268 + 0.0268)
1.41 - 1.45 (0.0555 - 0.0571)	0.68 + 0.72 (0.0268 + 0.0283)
1.45 - 1.49 (0.0571 - 0.0587)	0.72 + 0.72 (0.0283 + 0.0283)
1.49 - 1.53 (0.0587 - 0.0602)	0.72 + 0.76 (0.0283 + 0.0299)
1.53 - 1.57 (0.0602 - 0.0618)	0.76 + 0.76 (0.0299 + 0.0299)
1.57 - 1.61 (0.0618 - 0.0634)	0.76 + 0.80 (0.0299 + 0.0315)
1.61 - 1.65 (0.0634 - 0.0650)	0.80 + 0.80 (0.0315 + 0.0315)
1.65 - 1.69 (0.0650 - 0.0665)	0.44 + 1.20 (0.0173 + 0.0472)

### Differential side bearing adjusting shim — RS5F50V

Thickness mm (in)	Part number
0.36 (0.0142)	38753-56E00
0.40 (0.0157)	38753-56E01
0.44 (0.0173)	38753-56E02
0.48 (0.0189)	38753-56E03
0.52 (0.0205)	38753-56E04
0.56 (0.0220)	38753-56E05
0.60 (0.0236)	38753-56E06
0.64 (0.0252)	38753-56E07
0.68 (0.0268)	38753-56E08
0.72 (0.0283)	38753-56E09
0.76 (0.0299)	38753-56E10
0.80 (0.0315)	38753-56E11
0.84 (0.0331)	38753-56E12
0.88 (0.0346)	38753-56E13
0.92 (0.0362)	38753-56E14

# SERVICE DATA AND SPECIFICATIONS (SDS)

## Inspection and Adjustment (Cont'd)

**Table for selecting differential side bearing adjusting shim(s) — RS5F50A**

**Table for selecting differential side bearing adjusting shim(s) — RS5F50V**

Unit: mm (in)

Dial indicator deflection	Suitable shim(s)
0.47 - 0.51 (0.0185 - 0.0201)	0.44 + 0.48 (0.0173 + 0.0189)
0.51 - 0.55 (0.0201 - 0.0217)	0.48 + 0.48 (0.0189 + 0.0189)
0.55 - 0.59 (0.0217 - 0.0232)	0.48 + 0.52 (0.0189 + 0.0205)
0.59 - 0.63 (0.0232 - 0.0248)	0.52 + 0.52 (0.0205 + 0.0205)
0.63 - 0.67 (0.0248 - 0.0264)	0.52 + 0.56 (0.0205 + 0.0220)
0.67 - 0.71 (0.0264 - 0.0280)	0.56 + 0.56 (0.0220 + 0.0220)
0.71 - 0.75 (0.0280 - 0.0295)	0.56 + 0.60 (0.0220 + 0.0236)
0.75 - 0.79 (0.0295 - 0.0311)	0.60 + 0.60 (0.0236 + 0.0236)
0.79 - 0.83 (0.0311 - 0.0327)	0.60 + 0.64 (0.0236 + 0.0252)
0.83 - 0.87 (0.0327 - 0.0343)	0.64 + 0.64 (0.0252 + 0.0252)
0.87 - 0.91 (0.0343 - 0.0358)	0.64 + 0.68 (0.0252 + 0.0268)
0.91 - 0.95 (0.0358 - 0.0374)	0.68 + 0.68 (0.0268 + 0.0268)
0.95 - 0.99 (0.0374 - 0.0390)	0.68 + 0.72 (0.0268 + 0.0283)
0.99 - 1.03 (0.0390 - 0.0406)	0.72 + 0.72 (0.0283 + 0.0283)
1.03 - 1.07 (0.0406 - 0.0421)	0.72 + 0.76 (0.0283 + 0.0299)
1.07 - 1.11 (0.0421 - 0.0437)	0.76 + 0.76 (0.0299 + 0.0299)
1.11 - 1.15 (0.0437 - 0.0453)	0.76 + 0.80 (0.0299 + 0.0315)
1.15 - 1.19 (0.0453 - 0.0469)	0.80 + 0.80 (0.0315 + 0.0315)
1.19 - 1.23 (0.0469 - 0.0484)	0.44 + 1.20 (0.0173 + 0.0472)
1.23 - 1.27 (0.0484 - 0.0500)	0.48 + 1.20 (0.0189 + 0.0472)
1.27 - 1.31 (0.0500 - 0.0516)	0.52 + 1.20 (0.0205 + 0.0472)

Unit: mm (in)

Dial indicator deflection	Suitable shim(s)	
0.47 - 0.51 (0.0185 - 0.0201)	0.44 + 0.48 (0.0173 + 0.0189)	GI
0.51 - 0.55 (0.0201 - 0.0217)	0.48 + 0.48 (0.0189 + 0.0189)	
0.55 - 0.59 (0.0217 - 0.0232)	0.48 + 0.52 (0.0189 + 0.0205)	MA
0.59 - 0.63 (0.0232 - 0.0248)	0.52 + 0.52 (0.0205 + 0.0205)	
0.63 - 0.67 (0.0248 - 0.0264)	0.52 + 0.56 (0.0205 + 0.0220)	EM
0.67 - 0.71 (0.0264 - 0.0280)	0.56 + 0.56 (0.0220 + 0.0220)	
0.71 - 0.75 (0.0280 - 0.0295)	0.56 + 0.60 (0.0220 + 0.0236)	LC
0.75 - 0.79 (0.0295 - 0.0311)	0.60 + 0.60 (0.0236 + 0.0236)	
0.79 - 0.83 (0.0311 - 0.0327)	0.60 + 0.64 (0.0236 + 0.0252)	EC
0.83 - 0.87 (0.0327 - 0.0343)	0.64 + 0.64 (0.0252 + 0.0252)	
0.87 - 0.91 (0.0343 - 0.0358)	0.64 + 0.68 (0.0252 + 0.0268)	FE
0.91 - 0.95 (0.0358 - 0.0374)	0.68 + 0.68 (0.0268 + 0.0268)	
0.95 - 0.99 (0.0374 - 0.0390)	0.68 + 0.72 (0.0268 + 0.0283)	CL
0.99 - 1.03 (0.0390 - 0.0406)	0.72 + 0.72 (0.0283 + 0.0283)	
1.03 - 1.07 (0.0406 - 0.0421)	0.72 + 0.76 (0.0283 + 0.0299)	MT
1.07 - 1.11 (0.0421 - 0.0437)	0.76 + 0.76 (0.0299 + 0.0299)	
1.11 - 1.15 (0.0437 - 0.0453)	0.76 + 0.80 (0.0299 + 0.0315)	AT
1.15 - 1.19 (0.0453 - 0.0469)	0.80 + 0.80 (0.0315 + 0.0315)	
1.19 - 1.23 (0.0469 - 0.0484)	0.72 + 0.92 (0.0283 + 0.0362)	FA
1.23 - 1.27 (0.0484 - 0.0500)	0.76 + 0.92 (0.0299 + 0.0362)	
1.27 - 1.31 (0.0500 - 0.0516)	0.80 + 0.92 (0.0315 + 0.0362)	

GI  
MA  
EM  
LC  
EC  
FE  
CL  
MT  
AT  
FA  
  
RA  
BR  
ST  
RS  
BT  
HA  
EL  
IDX